



WARNING: CHOKING HAZARD

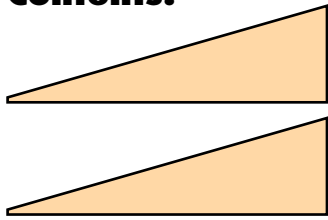
Toy contains small parts and functional/sharp points.
Not for children under 4 years old.
Adult supervision required.



VALENTINE BEAN BAG TOSS

Made in Chonburi, Thailand exclusively for The Home Depot by Houseworks, Ltd
2388 Pleasantdale Road, Atlanta, GA 30340 · batch #171104 · date: 10/17

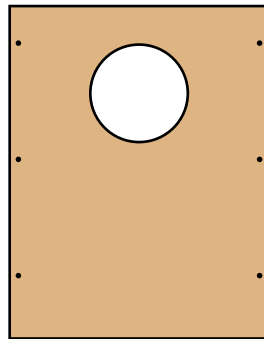
Contents:



2 Supports



2 Bean Bags



1 Board



1 Sticker Sheet



6 Nails



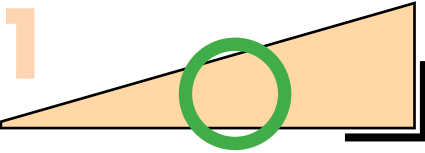
Finished example.

ALSO NEEDED:

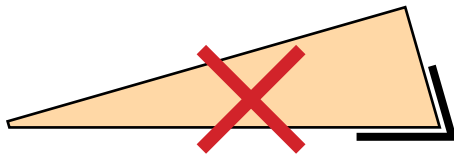
- Safety Goggles
- Fine Sandpaper
- Wood Glue
- Hammer

Assembly:

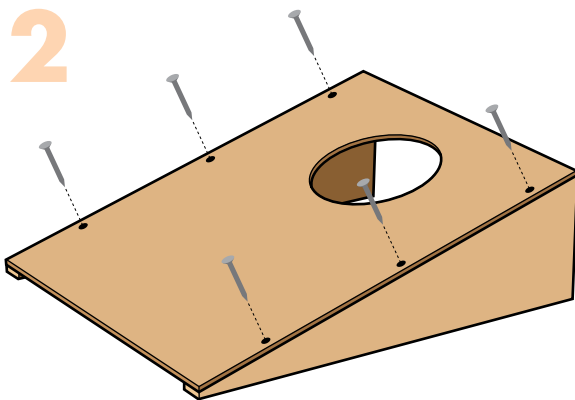
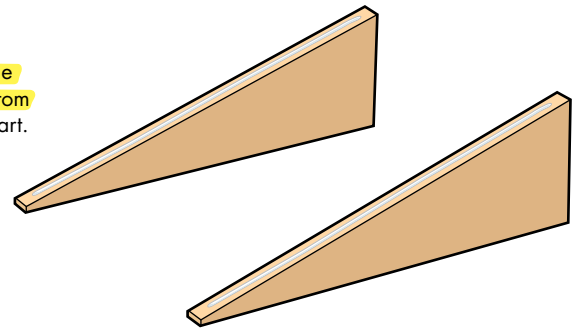
Start with sanding each wood piece to remove any rough edges. Remember to sand in the direction of the wood grain. Glue and nail the pieces together. Allow glue to completely dry.



Step 1 — Stand both support pieces on the long edge with 90-degree angle at the bottom (see image). Place them about 6 inches apart.



Add thin lines of glue to the top edges.



Step 2 — Place the board on top with the large hole toward the higher edge. Make sure outside edges are even. Carefully hold the pieces together, nail the board to the support pieces through the nail holes.

Attention: If you are painting the project, paint and wait to dry completely before adding the stickers.



(Ver el dorso para instrucciones en español.)

California 93120 compliant for formaldehyde phase 2