



WARNING:
CHOKING HAZARD
 Toy contains small parts and functional/sharp points. Not for children under 3 years old. Adult supervision required.

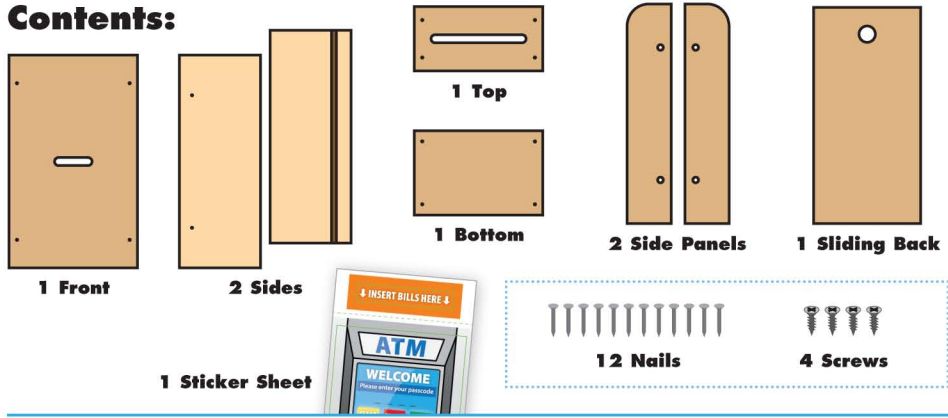


5+

ATM BANK

Made in Thailand exclusively for The Home Depot by Houseworks, Ltd.
2388 Pleasantdale Road, Atlanta, GA 30340 · 71140 · Thailand 0920

Contents:



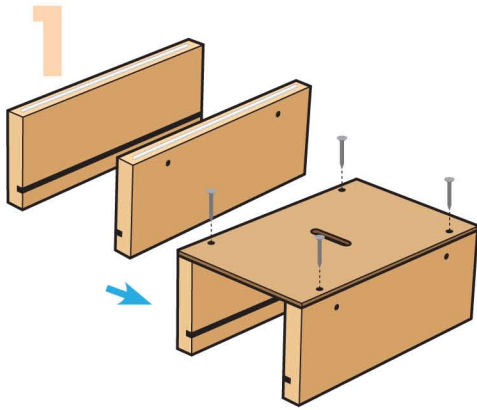
Finished example.



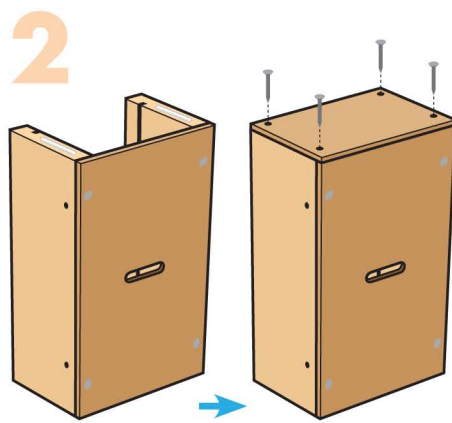
- ALSO NEEDED:**
- Fine Sandpaper
 - Wood Glue
 - Hammer
 - #2 Phillips Screwdriver

Assembly:

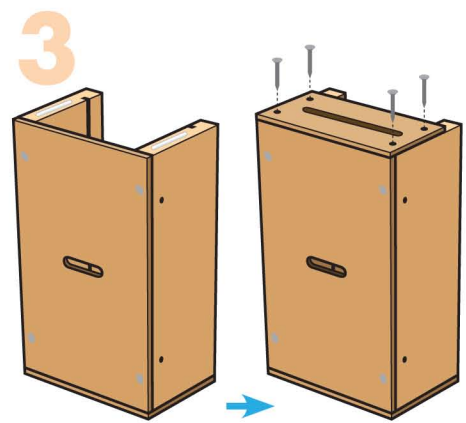
Start with sanding each wood piece to remove any rough edges. Remember to sand in the direction of the wood grain. Glue and nail the pieces together. Allow glue to completely dry.



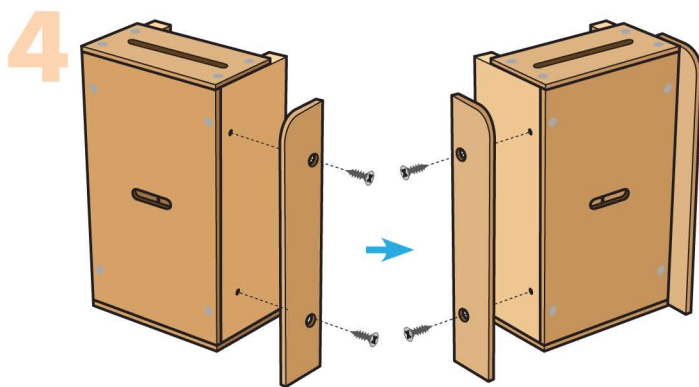
Step 1—Stand both side pieces up on the long edges with the slots facing in and close to the bottom. Add thin lines of glue to the top edges. Place the front piece on top. Make sure outside edges are even. Nail them together.



Step 2—Stand the project up. Avoiding the slots, add little glue to the top edges. Place the bottom piece on top. Make sure outside edges are even. Nail them together.



Step 3—Turn the project over. Avoiding the slots, add little glue to the top edges. Place the top piece on top even with front and side edges so that the slots are not covered. Nail them together.



Step 4—Place a side panel next to one of the side pieces and align the holes. Make sure the rounded front edge is at top. Using a #2 Phillips Screwdriver, attach the side panel with 2 screws. Repeat to attach the other side panel.

Attention: If you are painting the project, **DO NOT paint the sliding back piece or slots.** Painting the sliding back piece and slots will make them stick in place! Allow the paint to dry completely.



Step 5—After making sure all the glue is completely dry, slide the sliding back piece into the slots. Add the stickers as shown.

(Ver el dorso para instrucciones en español.)