



WARNING:
CHOKING HAZARD—Toy contains a small ball and small parts. Not for children under 3 years. The product contains functional sharp points and sharp edge. Not for children under 4 years. Adult supervision required.

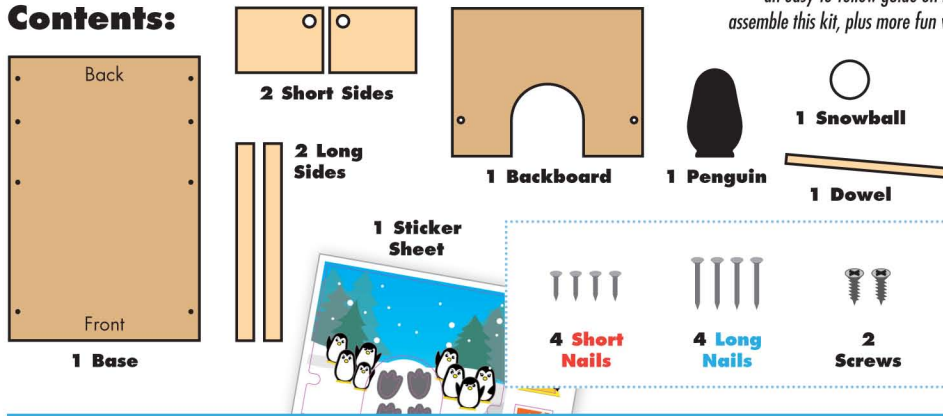


5+

SNOWBALL GAME

Made in Thailand exclusively for The Home Depot by Houseworks, Ltd.
2388 Pleasantdale Road, Atlanta, GA 30340 · 71164 · Thailand 0922

Contents:



Scan with your camera or visit homedepot.com/kids for an easy-to-follow guide on how to assemble this kit, plus more fun videos.



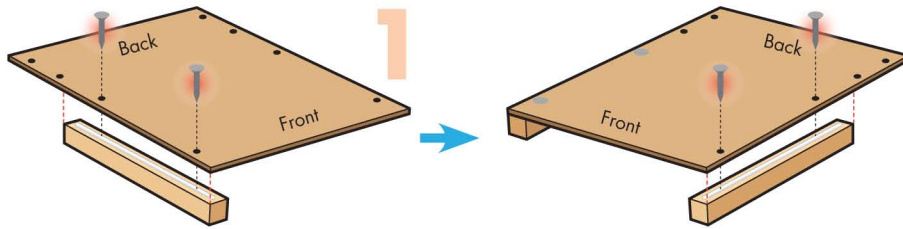
Finished example.

ALSO NEEDED:

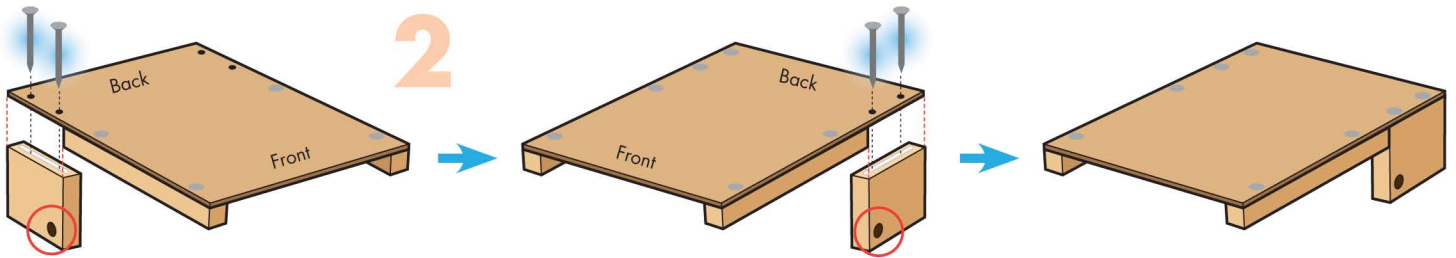
- Fine Sandpaper
- Wood Glue
- Hammer
- #2 Phillips Screwdriver

Assembly:

Start with sanding each wood piece to remove any rough edges. Remember to sand in the direction of the wood grain. Glue and nail the pieces together. Allow glue to completely dry.

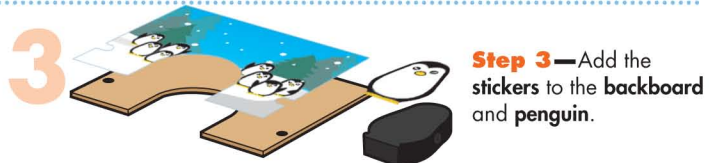


Step 1—Lay one of the long side pieces down. Add a thin line of glue to the top edge. Place a front corner of the base on top. Make sure front and side edges are even. Using 2 short nails, nail them together. Repeat to attach the other long side piece.

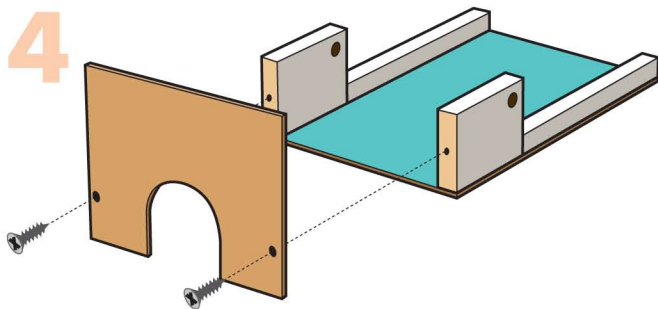


Step 2—Stand one of the short side pieces up on the long edge with the dowel hole close to the bottom. Add a thin line of glue to the top edge. Align a back corner of the base to the short side piece. Make sure the dowel hole is next to the long side piece and edges are even. Using 2 long nails, nail them together. Repeat to attach the other short side piece.

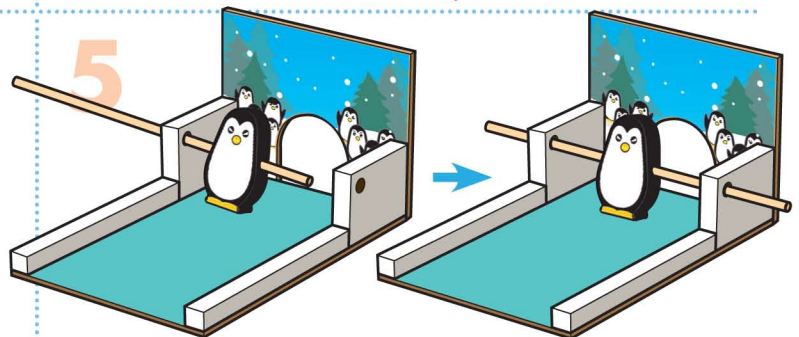
Attention: If you are painting the project, paint only the base assembly. Don't paint the backboard, dowel or penguin. Let the paint dry completely.



Step 3—Add the stickers to the backboard and penguin.



Step 4—Match the screw holes in the backboard to the screw holes in the short side pieces. Using a #2 Phillips Screwdriver, attach them together with 2 screws.



Step 5—Insert the dowel from one side. Carefully push the penguin through the dowel. Slide the dowel into the other side. Adjust the penguin to the center of the dowel. Add the other stickers as you like.

(Ver el dorso para instrucciones en español.)