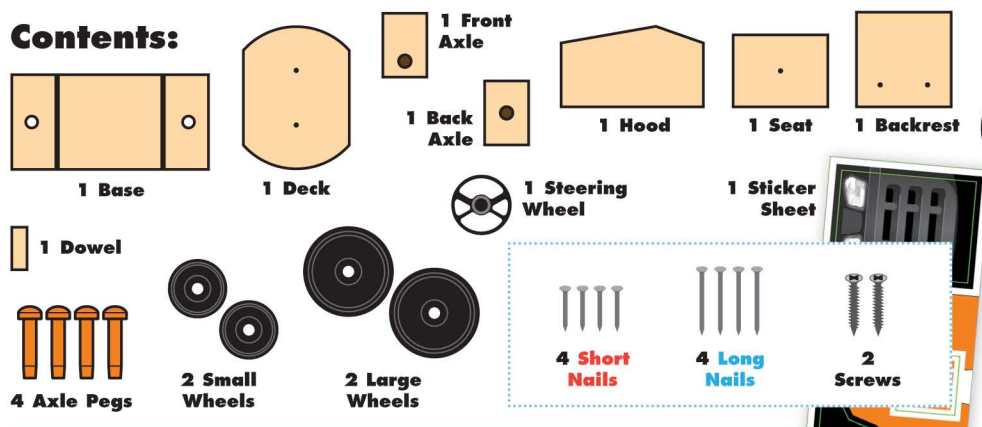


RIDING MOWER

Made in Thailand exclusively for The Home Depot by Houseworks, Ltd.
 2388 Pleasantdale Road, Atlanta, GA 30340 · 71142 · Thailand 1120

Contents:

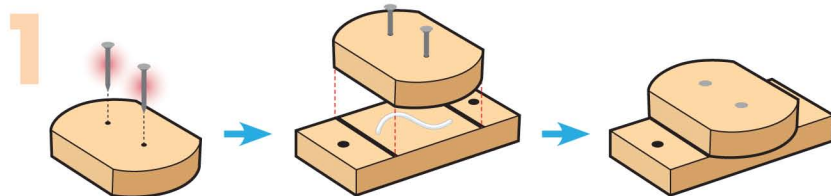


ALSO NEEDED:

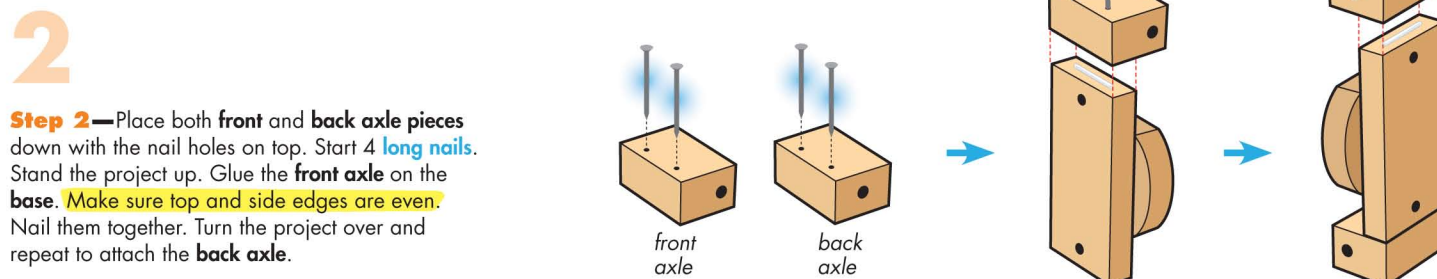
- Fine Sandpaper
- Wood Glue
- Hammer
- #2 Phillips Screwdriver

Assembly:

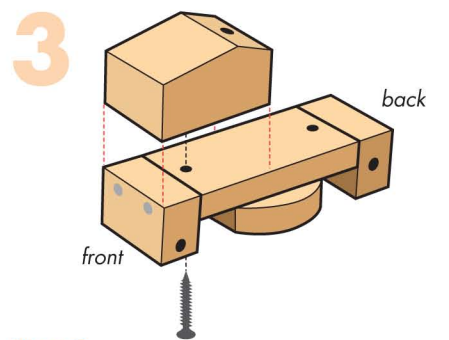
Start with sanding each wood piece to remove any rough edges. Remember to sand in the direction of the wood grain. Glue and nail the pieces together. Allow glue to completely dry.



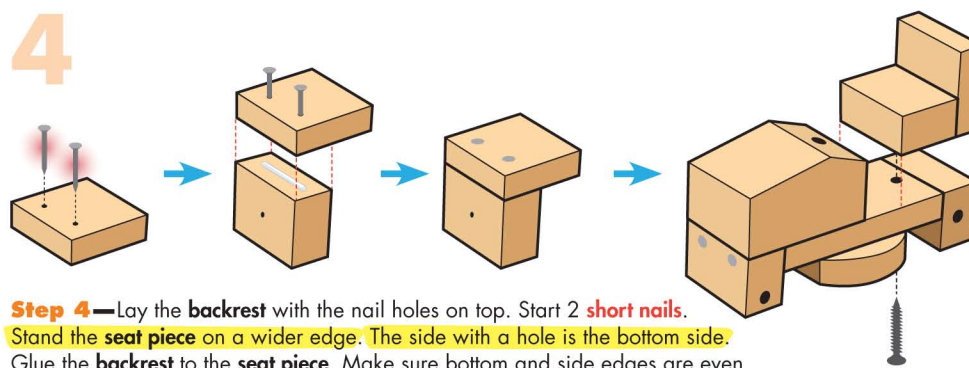
Step 1—Place the **deck** down with the nail holes on top. Start 2 **short nails**. Lay the **base** upside down so the bottom side with the lines face up. Using the lines as guide, align and glue the **deck** on top. Nail them together.



Step 2—Place both **front** and **back axle** pieces down with the nail holes on top. Start 4 **long nails**. Stand the project up. Glue the **front axle** on the **base**. Make sure top and side edges are even. Nail them together. Turn the project over and repeat to attach the **back axle**.



Step 3—Place the **hood** on top of the project with front edges even. Make sure the holes in the **hood** and **base** are aligned. Using a #2 Phillips Screwdriver, attach them together with a screw.



Step 4—Lay the **backrest** with the nail holes on top. Start 2 **short nails**. Stand the **seat piece** on a wider edge. The side with a hole is the bottom side. Glue the **backrest** to the **seat piece**. Make sure bottom and side edges are even. Nail them together to complete a seat.

Place the **seat** on top of the project with back edges even. Make sure the holes in the **seat** and **base** are aligned. Attach them together with a screw.



Step 5—Glue the **dowel** into the hole in the **hood**.

Step 6—Slide an **axle peg** through the **small wheels**. Put a dot of glue on the end of each **axle peg**. Insert them into the peg holes in the **front axle**. Repeat to add the **large wheels** to the **back axle**. Tap the **axle pegs** with a **hammer** if necessary.

Glue the **steering wheel** to the **dowel**. Add the **stickers** as shown.

