



WARNING:
CHOKING HAZARD—Small Parts.
 Not for children under 3 years.
 The product contains functional sharp points and sharp edge. Not for children under 4 years.
 Adult supervision required.



5+

BUTTERFLY HOUSE

Made in Thailand exclusively for The Home Depot by Houseworks, Ltd.
2388 Pleasantdale Road, Atlanta, GA 30340 · 71178 · Thailand 1023

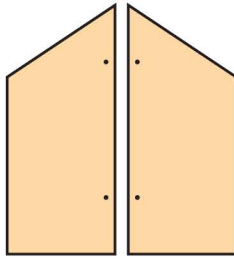
Finished example.



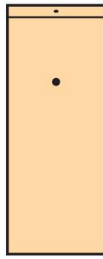
Contents:



1 Roof



2 Sides



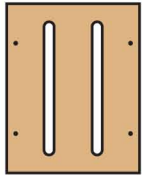
1 Back



Scan with your camera or visit homedepot.com/kids for an easy-to-follow guide on how to assemble this kit, plus more fun videos.



1 Bottom



1 Front



4 Long Nails



4 Short Nails



4 Flat Head Screws



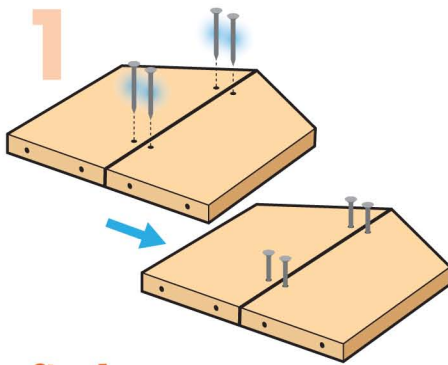
1 Pan Head Screw

ALSO NEEDED:

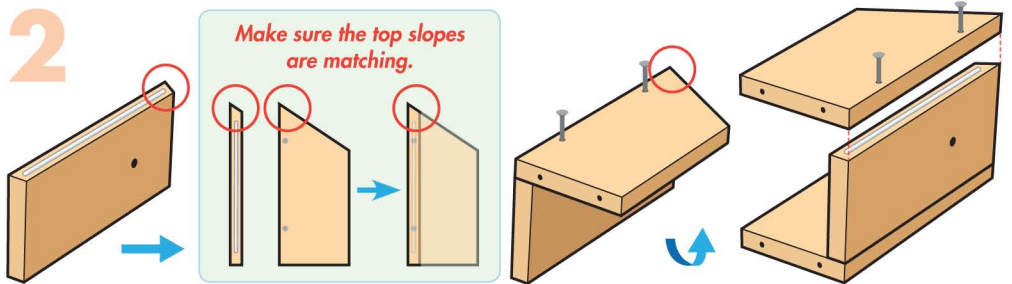
- Fine Sandpaper
- Wood Glue
- Hammer
- #2 Phillips Screwdriver

Assembly:

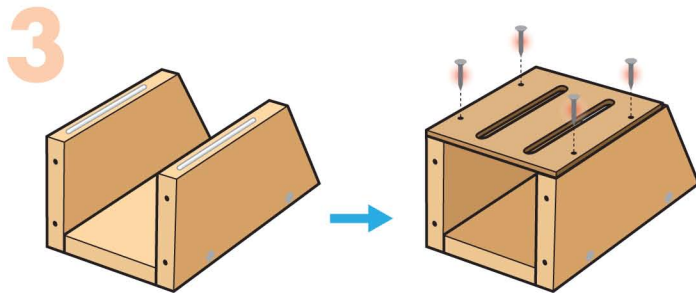
Start with sanding each wood piece to remove any rough edges. Remember to sand in the direction of the wood grain. Glue and nail the pieces together. Allow glue to completely dry.



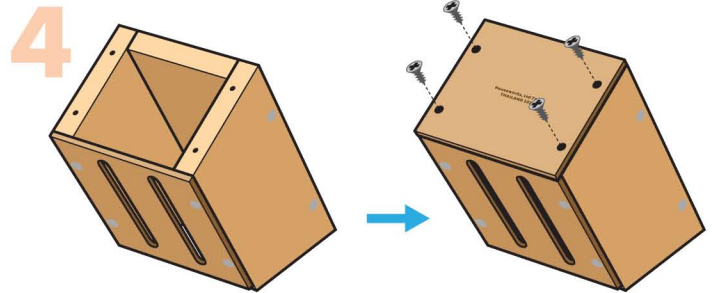
Step 1— Lay both side pieces flat side by side with the long edges touching. Start 4 long nails.



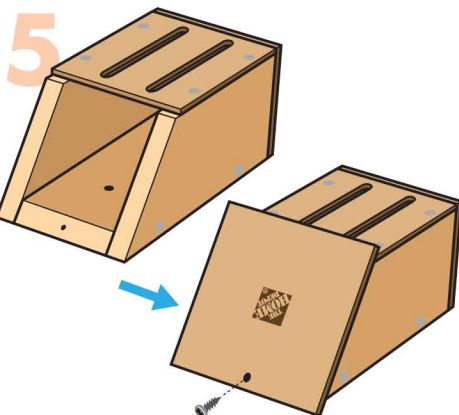
Step 2— Stand the back piece on a long edge. Glue one of the side pieces on top. Make sure the top slopes are matching. Make sure back and bottom edges are even. Carefully, nail them together. Turn the project over and repeat to attach the other side piece.



Step 3— Turn the project on its back. Glue the front piece on top. Make sure bottom and side edges are even. Nail them together with 4 short nails.



Step 4— Turn the project upside down. Place the bottom piece on top and align screw holes. Attach them together with 4 flat head screws using a #2 Phillips Screwdriver.

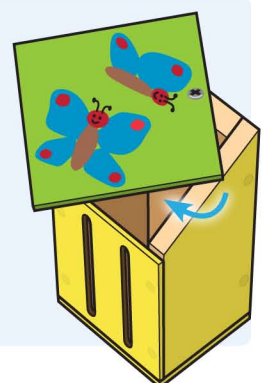


Step 5— Turn the project on its back. Attach the roof using a pan head screw. **DO NOT glue the roof.**

At Home: It's a good idea to place the Butterfly House in a location protected from weather or consider waterproofing it.

How to Attract Butterflies:

Rotate the roof to open the Butterfly House. Place a small piece of ripe banana, banana peel or other ripe fruits in a small container and put it inside the house then rotate the roof to close. The front slots keep birds out and give butterflies protection from wind and rain. Butterflies may use the house for shelter at night. Adding a few twigs inside will give butterflies a nice resting place. Remember to clean the Butterfly House.



(Ver el dorso para instrucciones en español.)

TSCA TITLE VI Compliant