

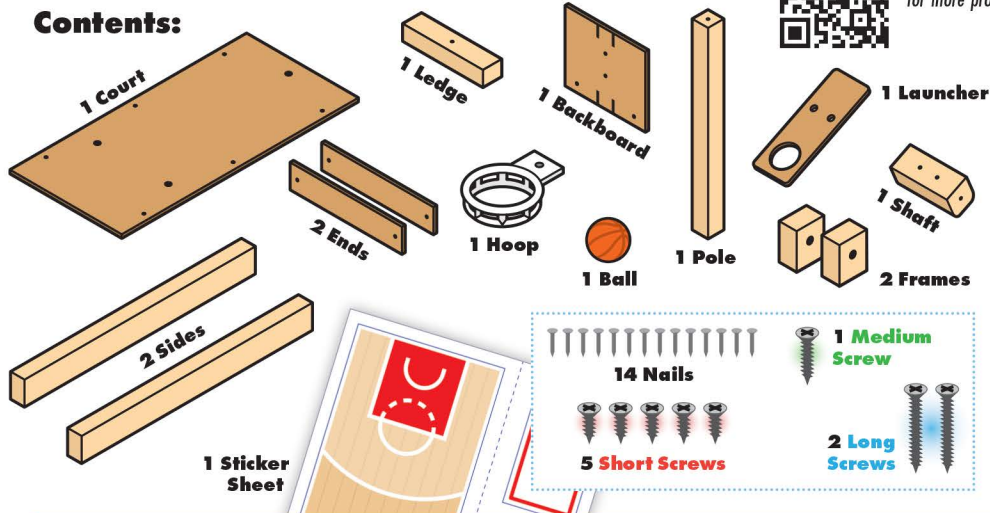
BASKETBALL GAME

Made in Thailand exclusively for The Home Depot by Houseworks, Ltd.
 2388 Pleasantdale Road, Atlanta, GA 30340 · 71190 · Thailand 1024



Scan or visit homedepot.com/kids for more projects and activities.

Contents:

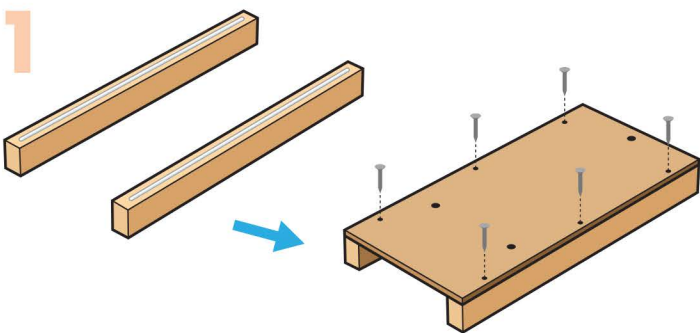


ALSO NEEDED:

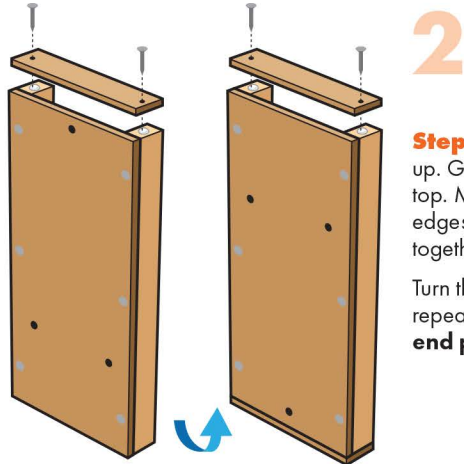
- Fine Sandpaper
- Wood Glue
- Hammer
- #2 Phillips Screwdriver

Assembly:

Start with sanding each wood piece to remove any rough edges. Remember to sand in the direction of the wood grain. Glue and nail the pieces together. Allow glue to completely dry.

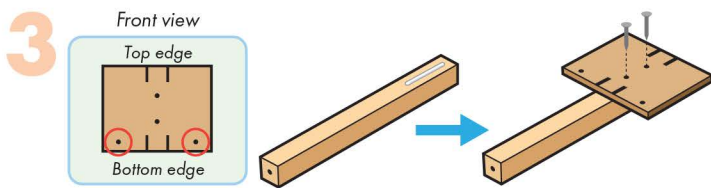


Step 1 — Place both **side pieces** on their long, narrow edges. Glue the **court** on top. Ensure the corner edges are even. Nail them together with 6 **nails**.



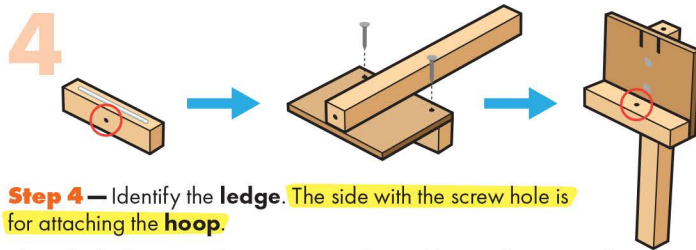
Step 2 — Stand the **project** up. Glue one **end piece** on top. Make sure the corner edges are even. Nail them together with 2 **nails**.

Turn the **project** over and repeat to attach the other **end piece**. Set aside for now.



Step 3 — Identify the **backboard**. The side with the lines is the front, and the edge with the 2 nail holes is the bottom.

Lay the **pole** flat. Apply a thin line of glue to the top edge and place the **backboard** on top. Align them together using the lines. Ensure the top edges are even. Nail them together with 2 **nails**.

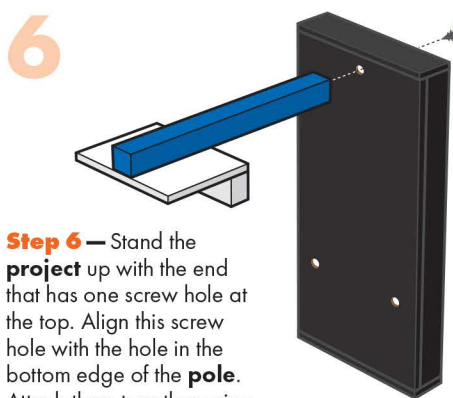


Step 4 — Identify the **ledge**. The side with the screw hole is for attaching the **hoop**.

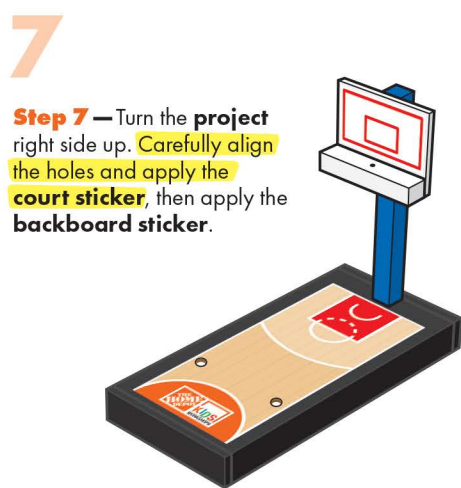
Place the **ledge** on its long, narrow edge. Add a small amount of glue to the top. Place the **backboard's** bottom edge on the **ledge**. Ensure the screw hole for the **hoop** faces up when right side up. Ensure the side and bottom edges are even. Carefully nail them together with 2 **nails**.

Attention: When painting, to ensure smooth ball launching, **do not paint the frame pieces or shaft**. You can paint the rim orange as shown. Allow the paint to dry completely.

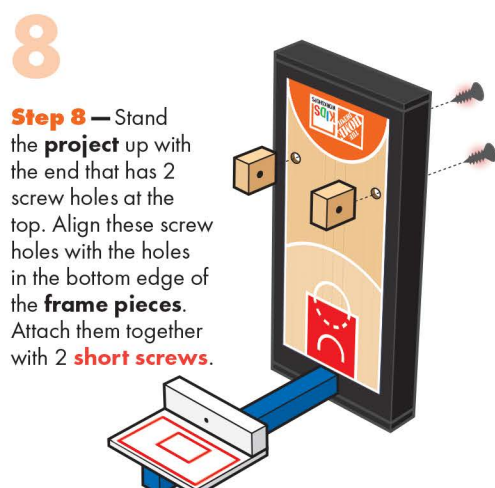
Step 5 — Identify 5 **short screws**, 1 **medium screw**, and 2 **long screws**. Make sure you use the correct size **screws** in the next steps.



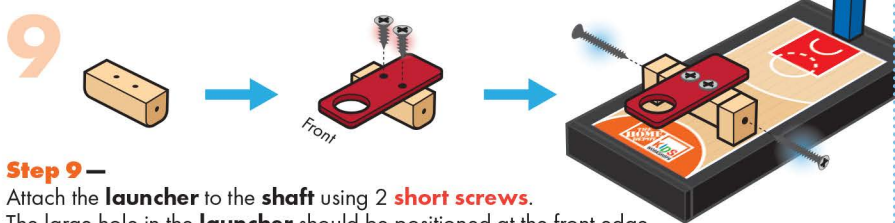
Step 6 — Stand the **project** up with the end that has one screw hole at the top. Align this screw hole with the hole in the bottom edge of the **pole**. Attach them together using the **medium screw** and a **#2 Phillips screwdriver**.



Step 7 — Turn the **project** right side up. Carefully align the holes and apply the **court sticker**, then apply the **backboard sticker**.



Step 8 — Stand the **project** up with the end that has 2 screw holes at the top. Align these screw holes with the holes in the bottom edge of the **frame pieces**. Attach them together with 2 **short screws**.



Step 9 — Attach the **launcher** to the **shaft** using 2 **short screws**. The large hole in the **launcher** should be positioned at the front edge. Next, position the **assembly** between the **frame pieces**, ensuring the top and side edges are flush and screw holes are aligned.

Secure them with 2 **long screws**, adjusting the screws so that the **launcher** operates smoothly—neither too tight nor too loose.

Step 10 — Attach the **hoop** to the **ledge** using a **short screw**.

Apply the **logo sticker** of your choice on the **court**.



At Home: Place the **ball** in the **launcher** and flick the **launcher** to score a basket!



(Ver el dorso para instrucciones en español.)

TSCA TITLE VI Compliant