



WARNING: CHOKING HAZARD

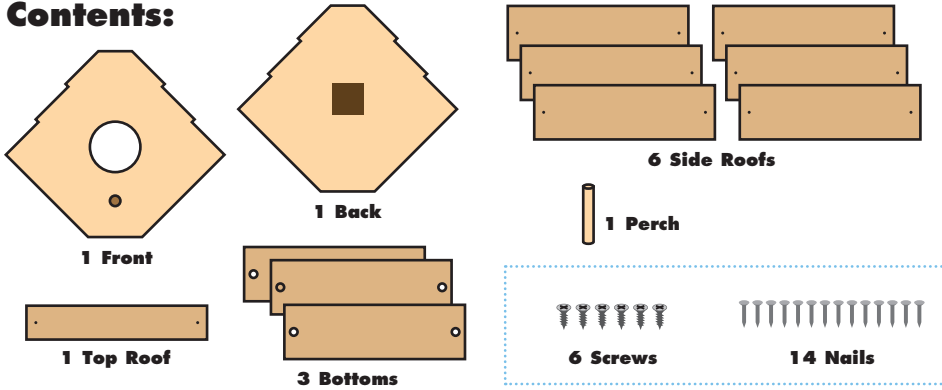
Contains small parts and functional/sharp points.
Not for children under 4 years old.
Adult supervision required.



BIRDHOUSE

Made in Chonburi, Thailand exclusively for The Home Depot by Houseworks, Ltd
2388 Pleasantdale Road, Atlanta, GA 30340 · batch #171118 · date: 12/18

Contents:



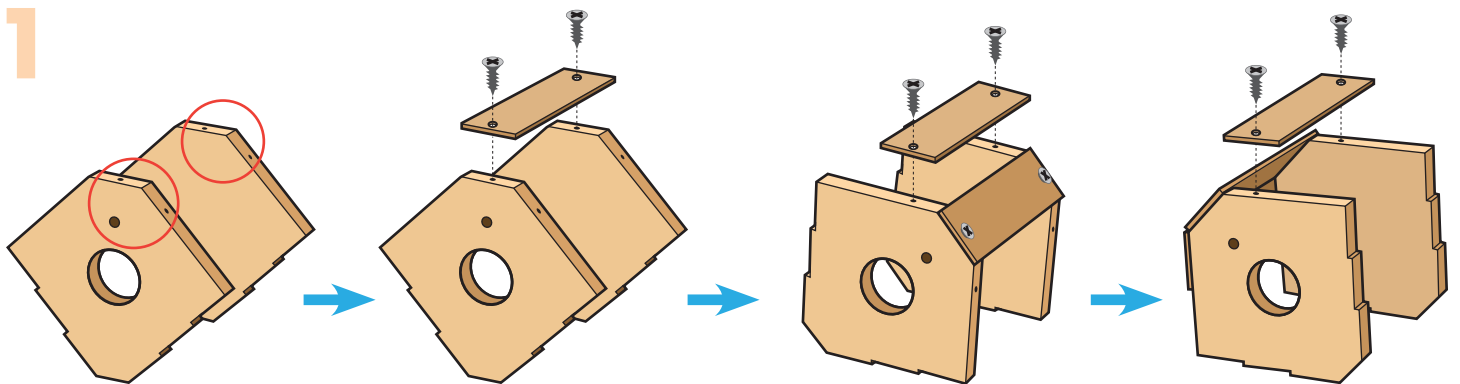
Finished example.

ALSO NEEDED:

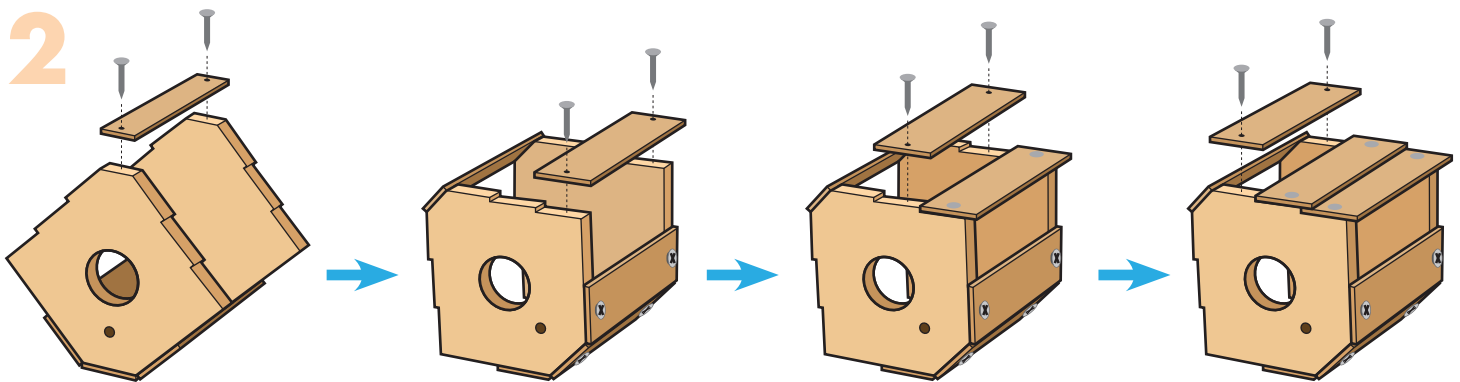
- Fine Sandpaper
- Wood Glue
- Hammer
- #2 Phillips Screwdriver

Assembly:

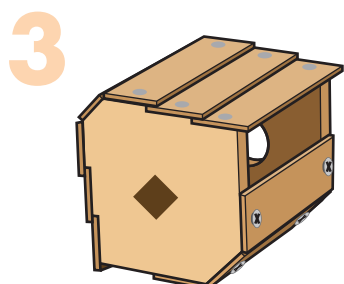
Start with sanding each wood piece to remove any rough edges. Remember to sand in the direction of the wood grain. Glue and nail the pieces together. Allow glue to completely dry.



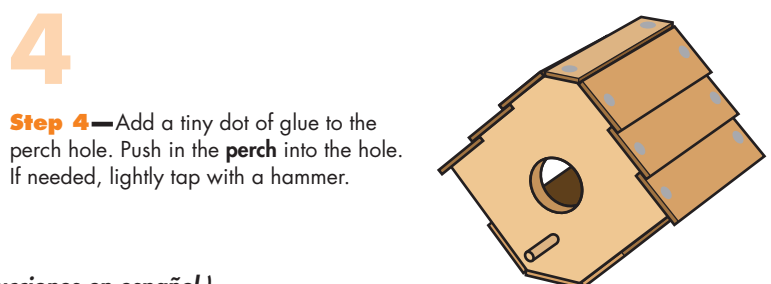
Step 1—Stand both **front** and **back** pieces upside down with the screw holes on top. Make sure the perch hole in the **front** piece is facing out. Carefully spread them apart. Place one of the **bottom** pieces on top. Attach it with 2 screws using a #2 Phillips screwdriver. Rotate the project once toward you. Attach the second **bottom** piece with 2 screws. Repeat to attach the last **bottom** piece with 2 screws.



Step 2—Stand the project up. Glue the **top roof** piece on top edges. Using 2 nails, nail it in place. Turn the project on one side. Glue and nail 3 **side roof** pieces from outer edges to top edges (like stairs).



Step 3—Repeat with the other **side roof** pieces.



Step 4—Add a tiny dot of glue to the perch hole. Push in the **perch** into the hole. If needed, lightly tap with a hammer.

(Ver el dorso para instrucciones en español.)