



WARNING:
CHOKING HAZARD—Small Parts.
 Not for children under 3 years.
 The product contains functional sharp points and sharp edge. Not for children under 4 years.
 Adult supervision required.

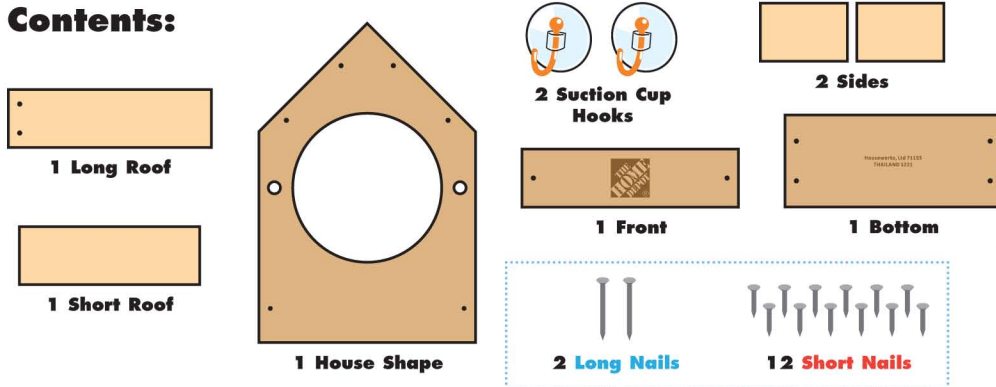


5+

WINDOW BIRD FEEDER

Made in Thailand exclusively for The Home Depot by Houseworks, Ltd.
2388 Pleasantdale Road, Atlanta, GA 30340 · 71155 · Thailand 1221

Contents:

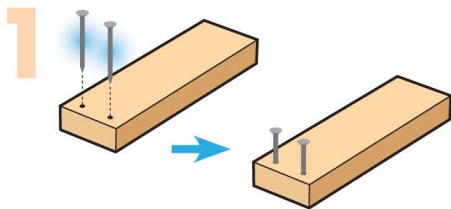


ALSO NEEDED:

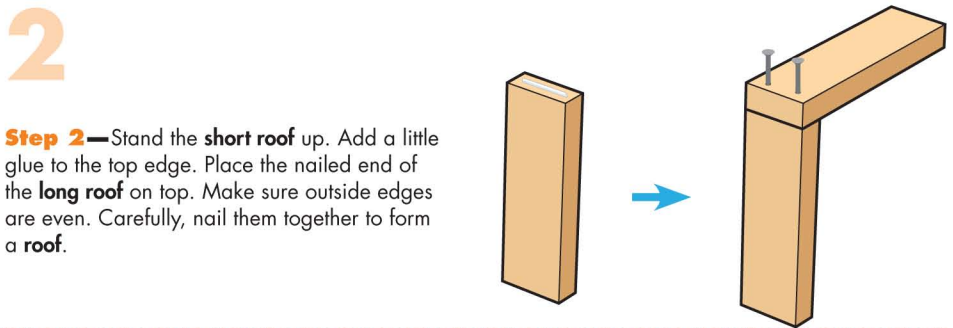
- Fine Sandpaper
- Wood Glue
- Hammer

Assembly:

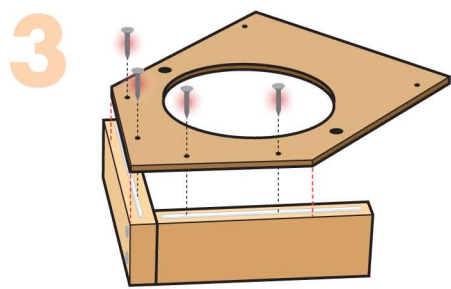
Start with sanding each wood piece to remove any rough edges. Remember to sand in the direction of the wood grain. Glue and nail the pieces together. Allow glue to completely dry.



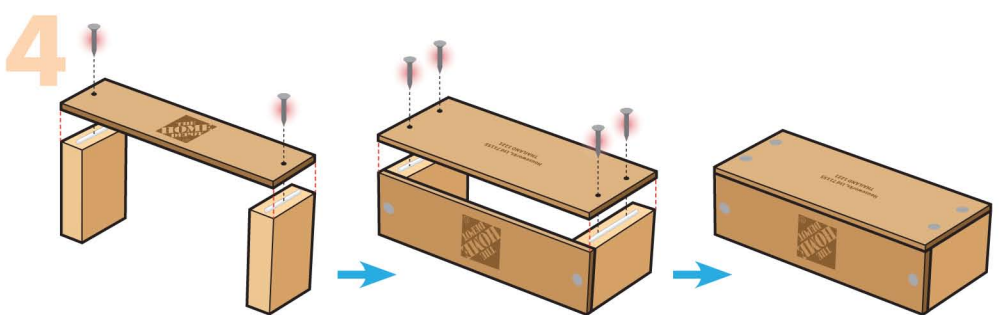
Step 1—Lay the **long roof** flat with the nail holes facing up. Start 2 **long nails**.



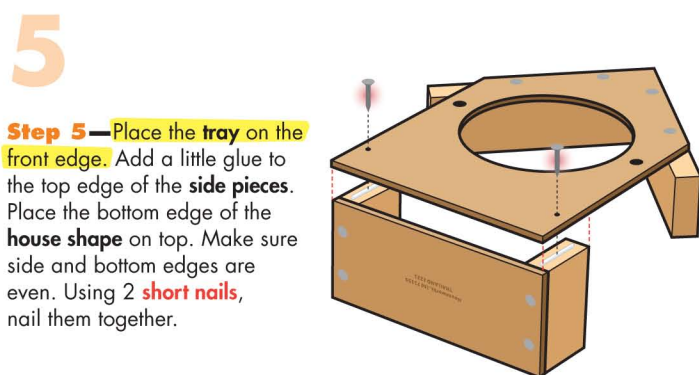
Step 2—Stand the **short roof** up. Add a little glue to the top edge. Place the nailed end of the **long roof** on top. Make sure outside edges are even. Carefully, nail them together to form a **roof**.



Step 3—Lay the **roof** down. Add thin lines of glue to the top edge. Place the **house shape** on top and align to roof edge. Make sure peaks are even. Using 4 **short nails**, nail them together.

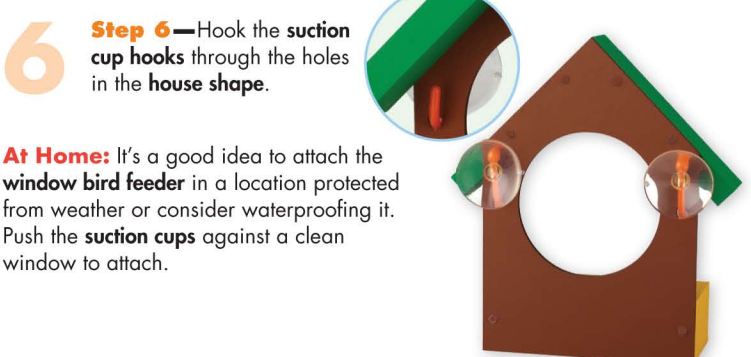


Step 4—Stand both **side pieces** up on the short edges. Add a little glue to the top edges. Place the **front piece** on top with the **branded logo** facing up. Make sure outside edges are even. Using 2 **short nails**, nail them together. Lay the project down with the **branded logo** upside down. Glue the **bottom piece** on top. Make sure all edges are even. Using 4 **short nails**, nail them together to form a **tray**.



Step 5—Place the **tray** on the **front edge**. Add a little glue to the top edge of the **side pieces**. Place the bottom edge of the **house shape** on top. Make sure side and bottom edges are even. Using 2 **short nails**, nail them together.

Attention: If you are painting the project, paint and wait to dry completely before adding the **suction cup hooks**.



Step 6—Hook the **suction cup hooks** through the holes in the **house shape**.

At Home: It's a good idea to attach the **window bird feeder** in a location protected from weather or consider waterproofing it. Push the **suction cups** against a clean window to attach.

(Ver el dorso para instrucciones en español.)

TSCA TITLE VI Compliant