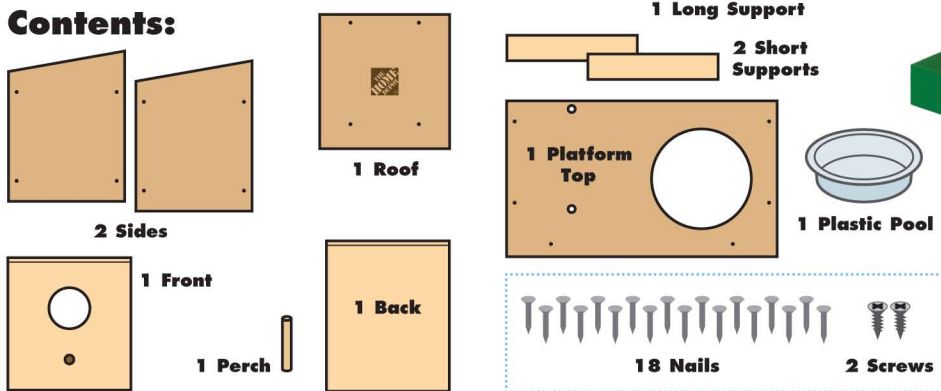


# POOLSIDE BIRDHOUSE

Made in Thailand exclusively for The Home Depot by Houseworks, Ltd.  
 2388 Pleasantdale Road, Atlanta, GA 30340 · 71167 · Thailand 1122

## Contents:



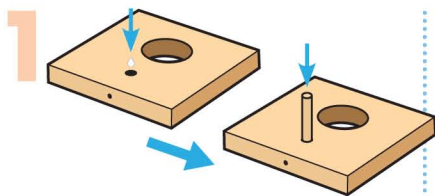
Scan with your camera or visit [homedepot.com/kids](http://homedepot.com/kids) for an easy-to-follow guide on how to assemble this kit, plus more fun videos.

## ALSO NEEDED:

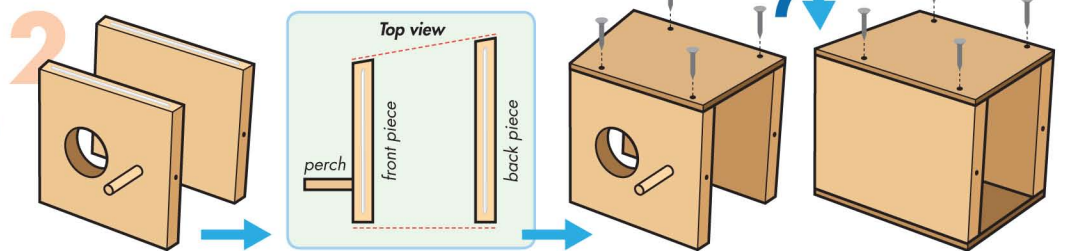
- Fine Sandpaper
- Wood Glue
- Hammer
- #2 Phillips Screwdriver

## Assembly:

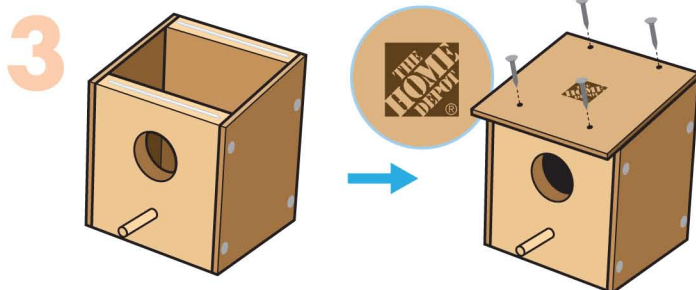
Start with sanding each wood piece to remove any rough edges. Remember to sand in the direction of the wood grain. Glue and nail the pieces together. Allow glue to completely dry.



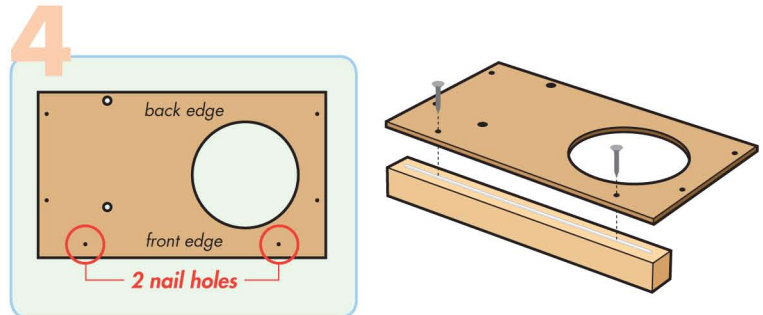
**Step 1**—Lay the front piece flat with the perch hole facing up. Add a tiny dot of glue into the perch hole. Insert the perch into the perch hole. Lightly tap with a hammer if necessary.



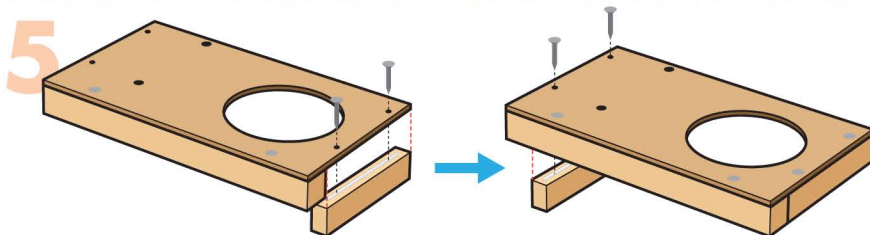
**Step 2**—Stand both front and back pieces on side edges. Make sure the perch is facing out and the angles of top edges are aligned. Glue one side piece on top. Make sure all edges are even. Carefully, nail them together. Turn the project over and repeat to attach the other side piece.



**Step 3**—Stand the project up. Add thin lines of glue to the top edge of the front and back pieces. Place the roof on top. Make sure the logo is not upside down. The roof will align with the back edge and overhang at front. Carefully, nail it in place to complete a birdhouse. Set aside the birdhouse until step 6.



**Step 4**—Lay the long support down. Add a thin line of glue to the top edge. Place the front edge of the platform top with 2 nail holes on the long support. Make sure front and side edges are even. Nail them together.

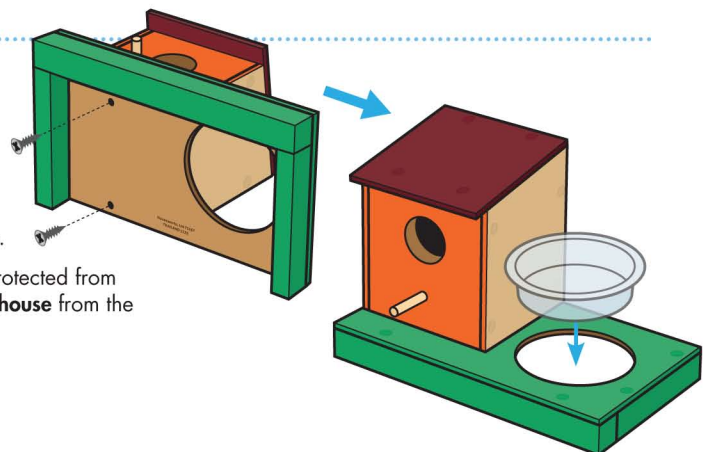


**Step 5**—Stand one short support on its long edge. Add a thin line of glue to the top edge. Place one side edge of the platform top on the short support. Make sure side and back edges are even. Nail them together. Repeat to attach the other short support to complete a platform.

**Attention:** If you are painting the project, paint and let dry completely before attaching the birdhouse and platform together and adding the plastic pool.

**Step 6**—Attach the birdhouse to the platform with 2 screws using a #2 Phillips Screwdriver. Drop the plastic pool into the hole in the platform.

**At Home:** It's a good idea to place the Poolside Birdhouse in a location protected from weather or consider waterproofing it. You can unscrew and detach the birdhouse from the platform to clean when needed.



(Ver el dorso para instrucciones en español.)