



**WARNING:**  
**CHOKING HAZARD**  
 Toy contains small parts and functional/sharp points. Not for children under 3 years old. Adult supervision required.

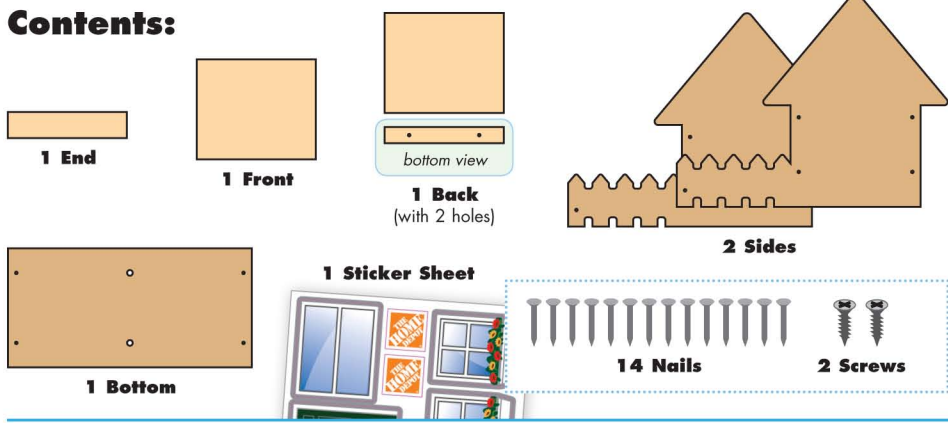


5+

# DESK ORGANIZER

Made in Thailand exclusively for The Home Depot by Houseworks, Ltd.  
2388 Pleasantdale Road, Atlanta, GA 30340 · 71144 · Thailand 0121

## Contents:

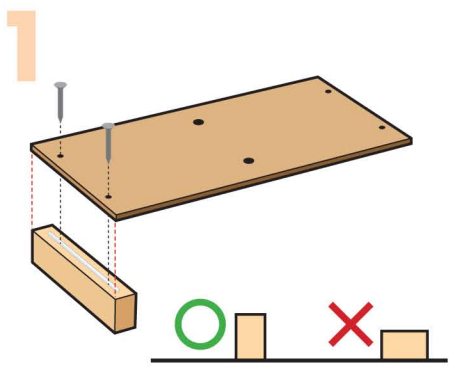


Finished example.

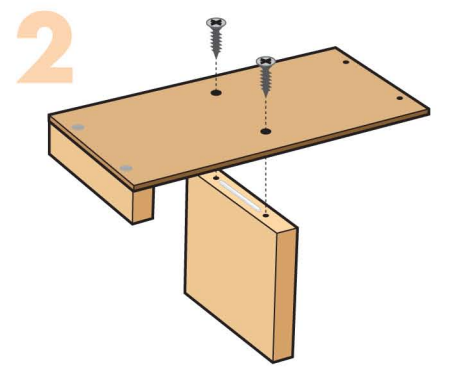
- ALSO NEEDED:**
- Fine Sandpaper
  - Wood Glue
  - Hammer
  - #2 Phillips Screwdriver

## Assembly:

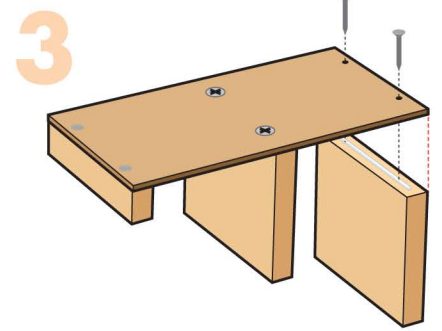
Start with sanding each wood piece to remove any rough edges. Remember to sand in the direction of the wood grain. Glue and nail the pieces together. Allow glue to completely dry.



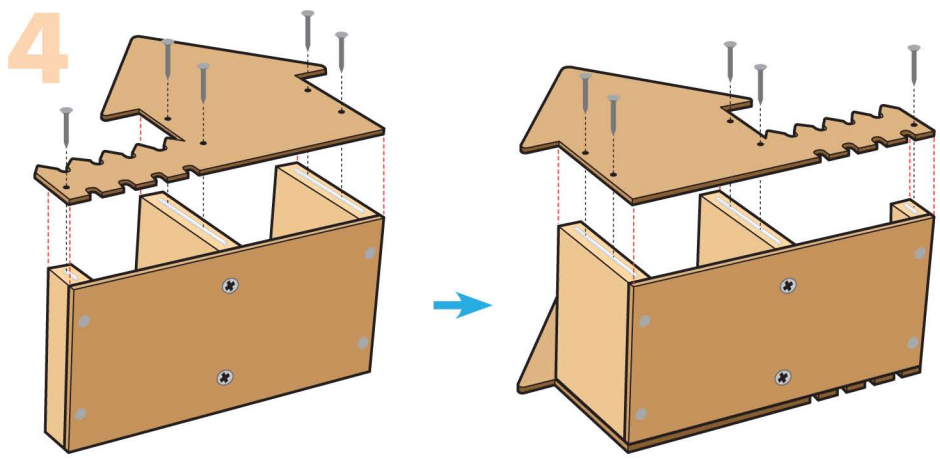
**Step 1**—Place the **end piece** on a narrow, long edge. Add a thin line of glue to the top edge. Place one end of the **bottom piece** on top. Make sure outside edges are even. Nail them together with 2 nails.



**Step 2**—Stand the **back piece** with the 2 screw holes facing up. Add a thin line of glue in between the 2 screw holes. Place the **bottom piece** on top and align the screw holes in both pieces. Using a #2 Phillips Screwdriver, attach them together with 2 screws.



**Step 3**—Stand the **front piece** on a long edge. Add a thin line of glue to the top edge. Place the other end of the **bottom piece** on top. Make sure outside edges are even. Nail them together with 2 nails.



**Step 4**—Turn the project on an open side. Glue a **side piece** on top. Make sure front, back and bottom edges are even. Nail it in place with 5 nails. Turn the project over and repeat to attach the other **side piece**.

**Attention:** If you are painting the project, paint and wait to dry completely before adding the stickers.

**Step 5**—Add the stickers as shown.



(Ver el dorso para instrucciones en español.)