



WARNING: CHOKING HAZARD – Small Parts.

Not for children under 3 years.

The product contains functional sharp points and sharp edge. Not for children under 4 years. Adult supervision required.



MIX
Wood | Supporting responsible forestry
FSC® C019260

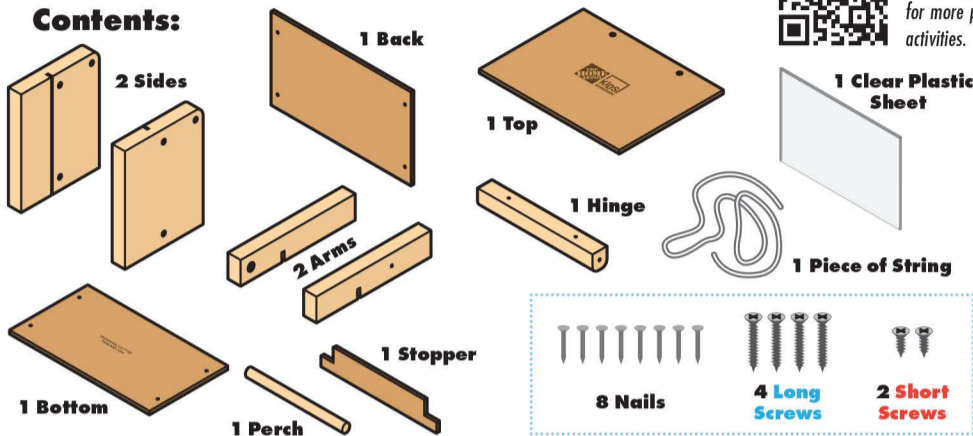
5+



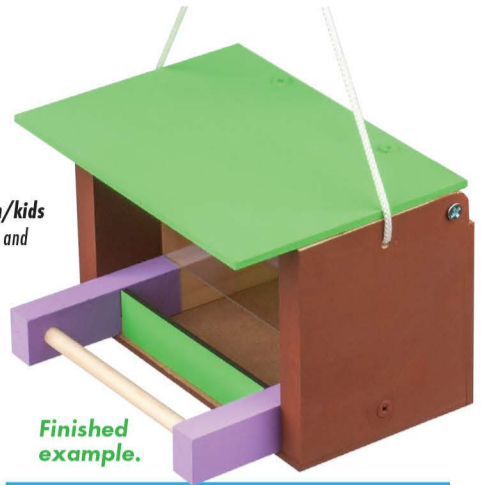
BIRDY BUFFET

Made in Thailand exclusively for The Home Depot by Houseworks, Ltd.
2388 Pleasantdale Road, Atlanta, GA 30340 · 71192 · Thailand 1224

Contents:



Scan or visit homedepot.com/kids for more projects and activities.



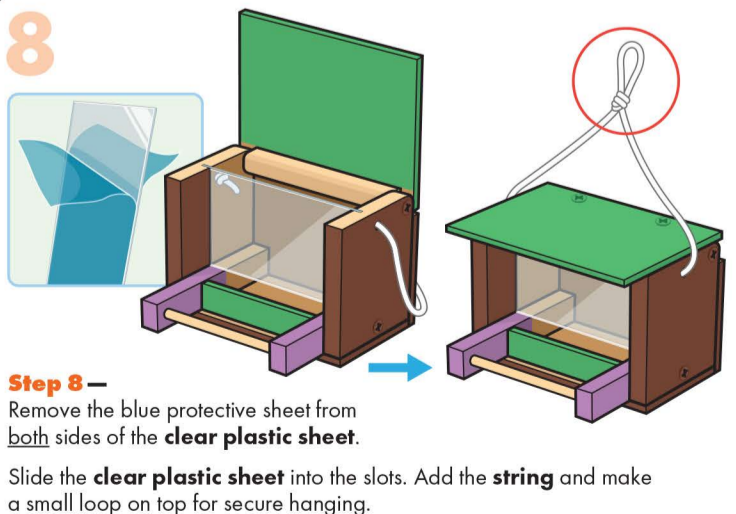
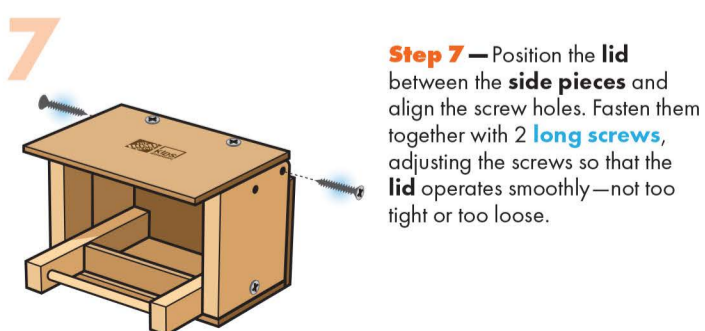
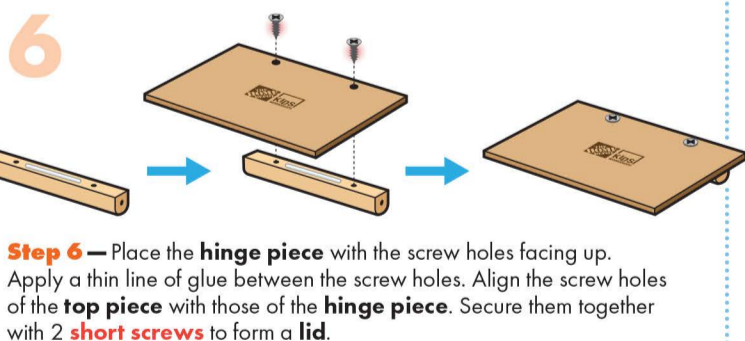
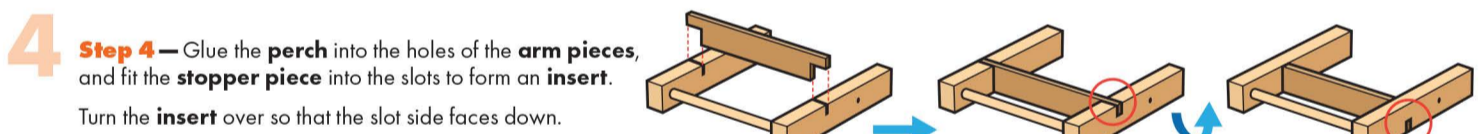
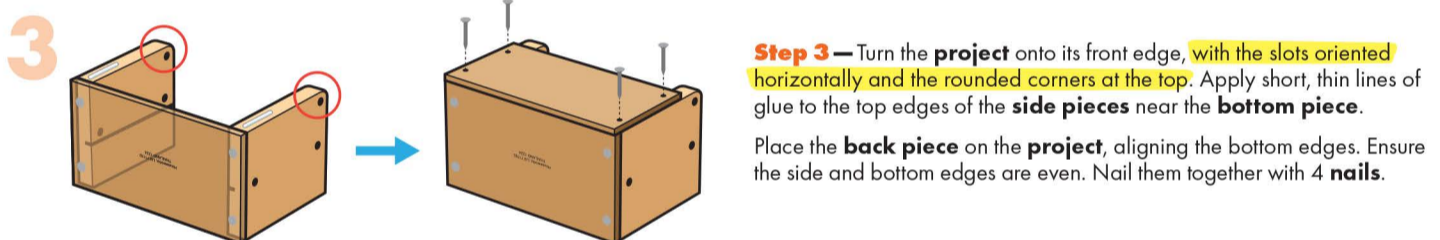
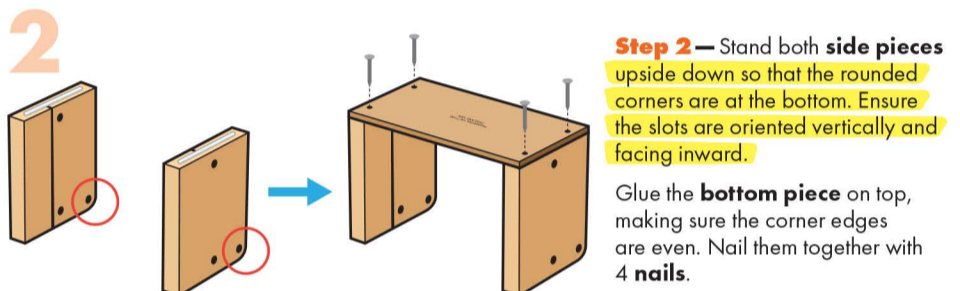
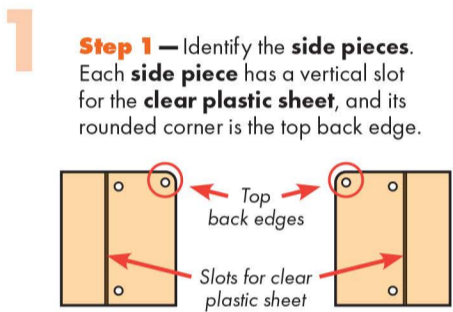
Finished example.

ALSO NEEDED:

- Fine Sandpaper
- Wood Glue
- Hammer
- #2 Phillips Screwdriver

Assembly:

Start with sanding each wood piece to remove any rough edges. Remember to sand in the direction of the wood grain. Glue and nail the pieces together. Allow glue to completely dry.



At Home: Open the lid to add birdseed and close it. Place the project in a secure spot outdoors where it is protected from the weather, such as under a porch, a covered deck, or under a leafy tree.

(Ver el dorso para instrucciones en español.)

TSCA TITLE VI Compliant