



**WARNING:**  
**CHOKING HAZARD—Small Parts.**  
 Not for children under 3 years.  
 The product contains functional sharp points and sharp edge. Not for children under 4 years.  
 Adult supervision required.



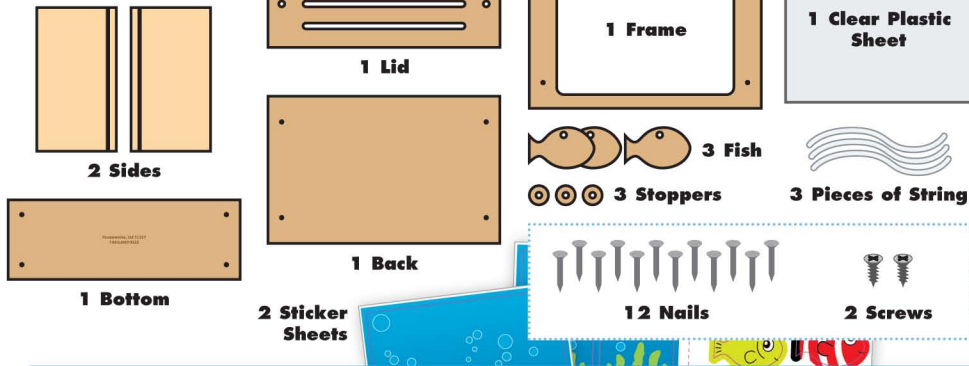
5+

# FISH TANK

Made in Thailand exclusively for The Home Depot by Houseworks, Ltd.  
2388 Pleasantdale Road, Atlanta, GA 30340 · 71157 · Thailand 0222

Finished example.

## Contents:

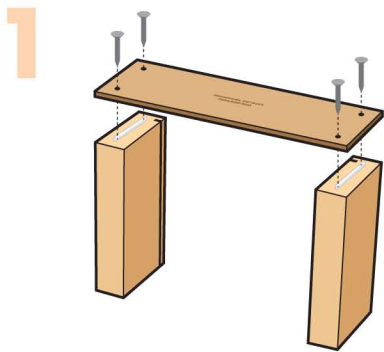


## ALSO NEEDED:

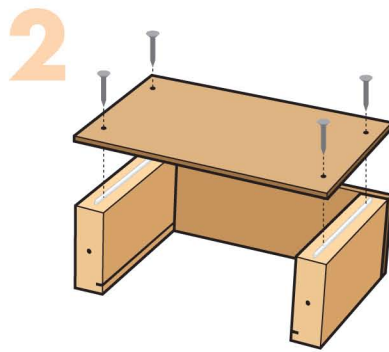
- Fine Sandpaper
- Wood Glue
- Hammer
- #2 Phillips Screwdriver

## Assembly:

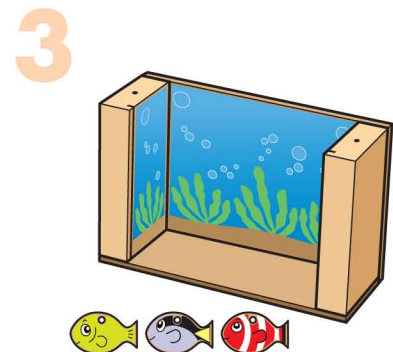
Start with sanding each wood piece to remove any rough edges. Remember to sand in the direction of the wood grain. Glue and nail the pieces together. Allow glue to completely dry.



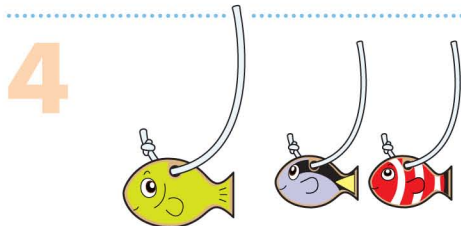
**Step 1—** Stand both **side pieces** up with the screw holes facing down and the slots facing in. Glue the **bottom piece** on top. Make sure outside edges are even. Nail them together with 4 **nails**.



**Step 2—** Lay the project down with the slot edge down. Glue the **back piece** on top. Make sure outside edges are even. Nail them together with 4 **nails**.



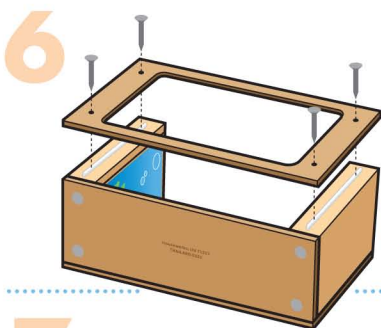
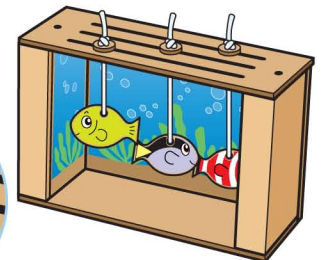
**Step 3—** Stand the project up. Carefully add the **stickers** to the interior of the tank. Make sure not to cover the slots in the **side pieces**. Add the **stickers** to both sides of the 3 **fish**.



**Step 4—** Thread one **piece of string** through the hole of one **fish** and tie the end. Repeat for the other 2 **fish**.

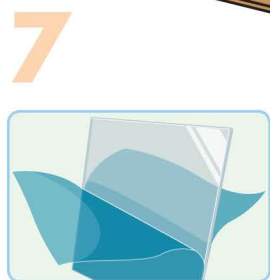
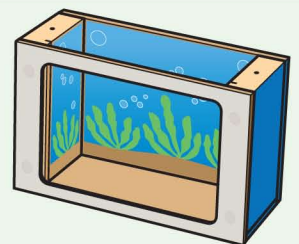
**Step 5—** Place the slotted **lid** on top of the project. Take one **fish with string** and thread the loose end through a **lid slot** (from the bottom) and then through a **stopper**. Tie a knot at your desired length. Repeat for the other 2 **fish with string**.

Set aside the **lid with hanging fishes** until the final step.



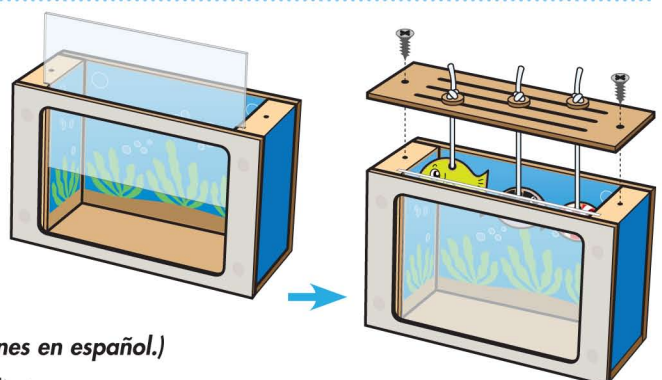
**Step 6—** Lay the project down with the open front facing up. Glue the **frame** on top. Make sure outside edges are even. Nail it in place with 4 **nails**.

**Attention:** If you are painting the project, **paint only the exterior of the tank**. Make sure not to paint the interior of the tank covering the slots. Painting the slots will make it difficult to slide in the **clear plastic sheet**. Allow the paint to dry completely.



**Step 7—** Peel off the blue protective sheets from BOTH sides of the **clear plastic sheet**. Slide it into the slots. Place the **lid with hanging fishes** on top of the tank. Using a #2 **Phillips Screwdriver**, attach it with 2 **screws**.

**At Home:** Cut the excess **string** at top if desired.



(Ver el dorso para instrucciones en español.)