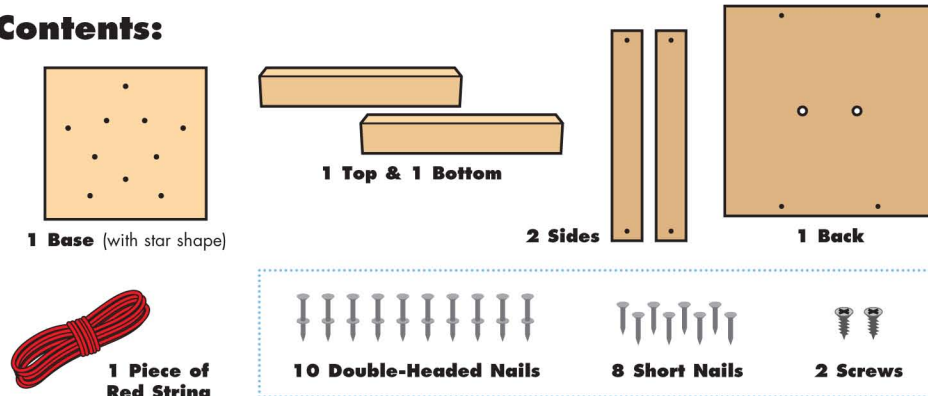


# STAR STRING ART

Made in Thailand exclusively for The Home Depot by Houseworks, Ltd.  
 2388 Pleasantdale Road, Atlanta, GA 30340 · 71146 · Thailand 0321

## Contents:



Finished example.

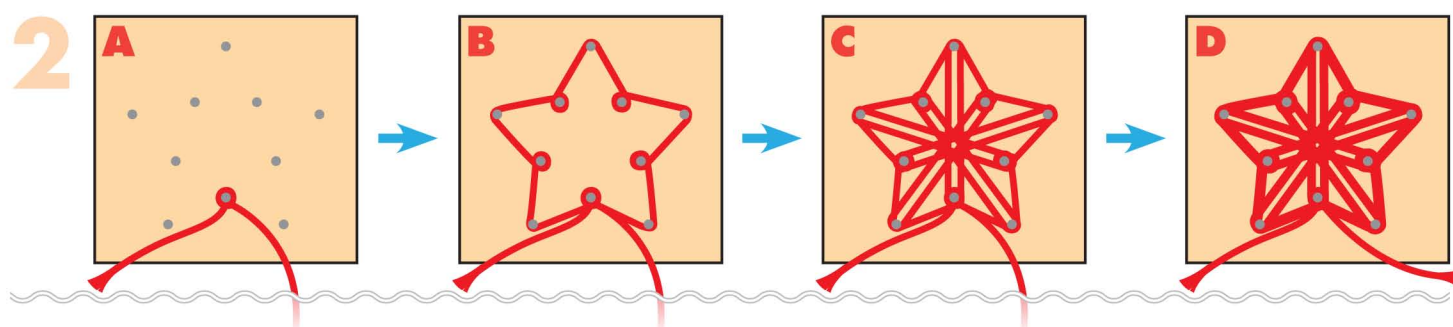
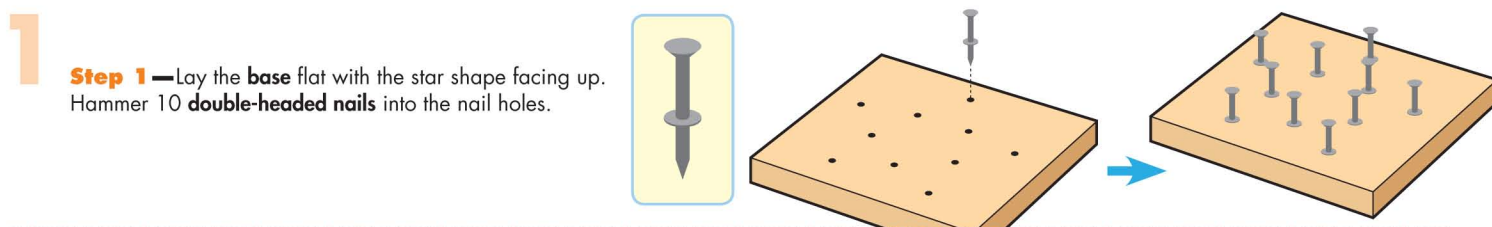


## ALSO NEEDED:

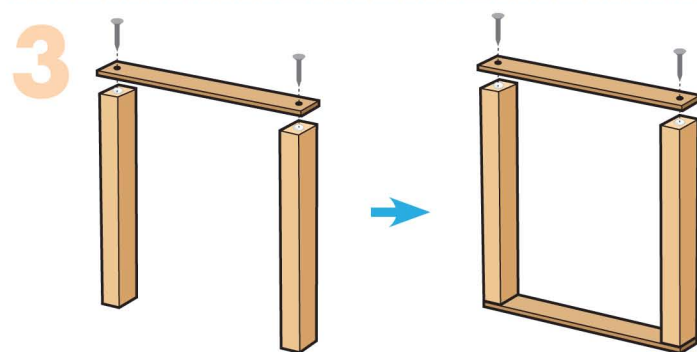
- Fine Sandpaper
- Wood Glue
- Hammer
- #2 Phillips Screwdriver

## Assembly:

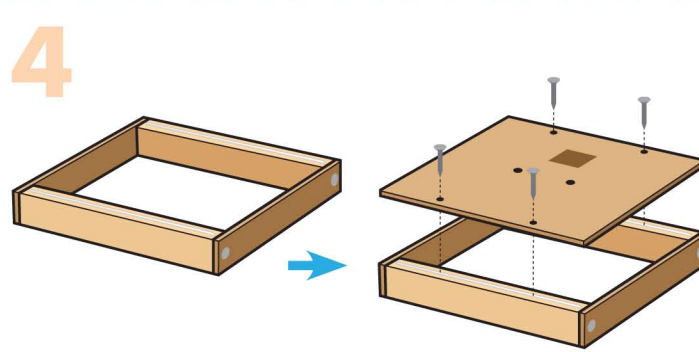
Start with sanding each wood piece to remove any rough edges. Remember to sand in the direction of the wood grain. Glue and nail the pieces together. Allow glue to completely dry.



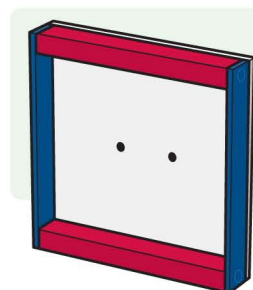
**Step 2—A:** Tie one end of the string to the inner corner nail at the bottom of the star shape and make sure to leave the end about 3 inches. This is your starting nail. **B:** Start wrapping the string around the outer shape. When you reach each inner corner nail, make sure to loop around the nail to keep the star shape. Continue to wrap around until you reach back to the starting nail. **C:** Then wrap the string around the nails randomly as much as you can to fill the star shape. Remember to keep the string tight. **D:** Once you are satisfied with your star string art OR when the string is about to run out, go back to the starting nail and loop around. Tightly tie the ends together twice.



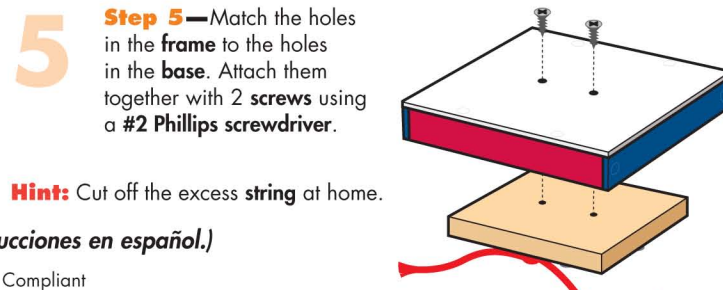
**Step 3**—Stand the top and bottom pieces up. Glue one of the side pieces on top. Make sure outside edges are even. Nail them together with 2 short nails. Turn it over and repeat to attach the other side piece.



**Step 4**—Lay the project flat. Add thin lines of glue to the top edge of the top and bottom pieces. Place the back on top. Make sure the nail holes are on the top and bottom pieces and all edges are even. Using 4 short nails, nail them together to form a frame.



**Attention:** If you are painting the project, paint only the frame. Allow the paint to dry completely before attaching the base.



(Ver el dorso para instrucciones en español.)