

**WARNING:**  
**CHOKING HAZARD**—Small Parts.  
 Not for children under 3 years.  
 The product contains functional sharp points and sharp edge. Not for children under 4 years.  
 Adult supervision required.



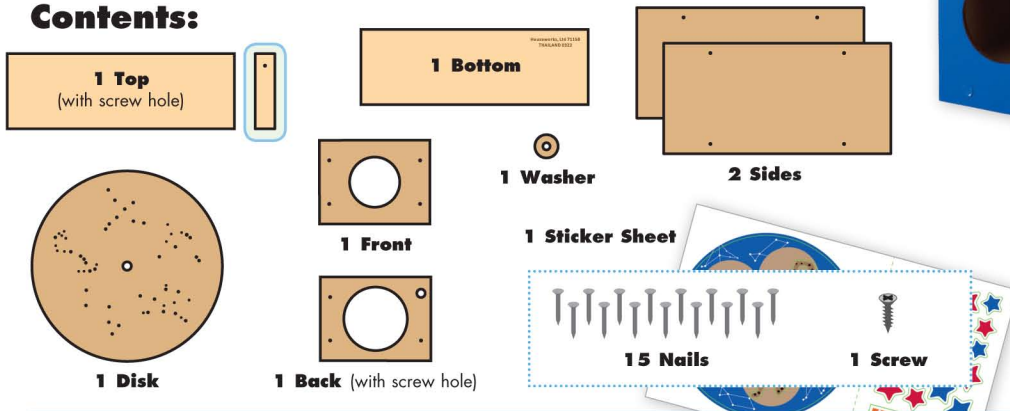
# CONSTELLATION VIEWER

Made in Thailand exclusively for The Home Depot by Houseworks, Ltd.  
 2388 Pleasantdale Road, Atlanta, GA 30340 · 71158 · Thailand 0322



Finished example.

## Contents:



Scan with your camera or visit [homedepot.com/kids](http://homedepot.com/kids) for an easy-to-follow guide on how to assemble this kit, plus more fun videos.

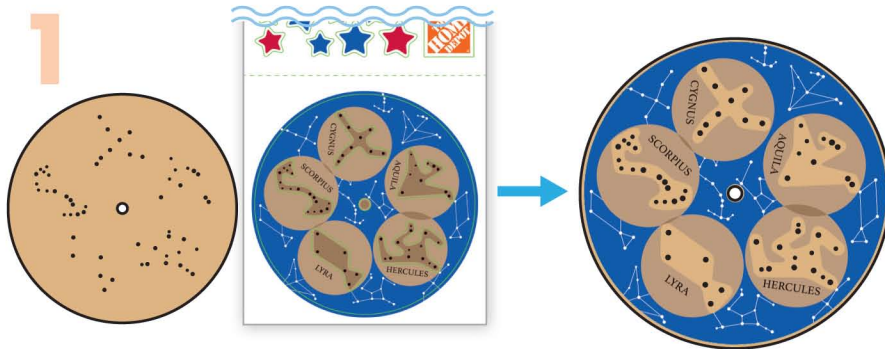


## ALSO NEEDED:

- Fine Sandpaper
- Wood Glue
- Hammer
- #2 Phillips Screwdriver

## Assembly:

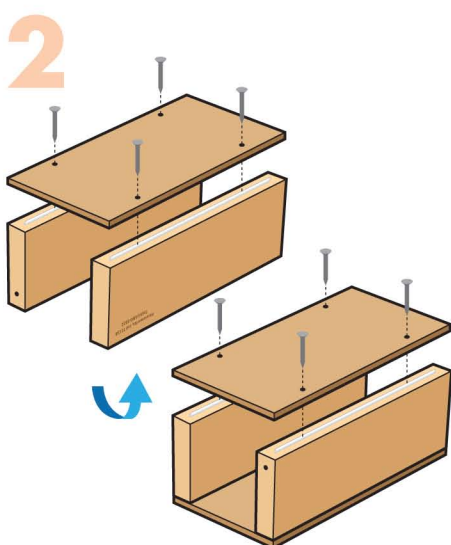
Start with sanding each wood piece to remove any rough edges. Remember to sand in the direction of the wood grain. Glue and nail the pieces together. Allow glue to completely dry.



**Step 1**—Lay the **disk** flat. Place the **constellation sticker** next to the **disk**. Compare the constellation shapes carefully and make sure the front side of the **disk** is facing up.

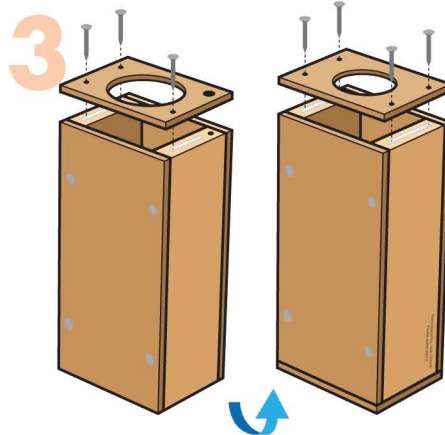
Slowly peel off the **constellation sticker** from the backing paper to avoid tearing. Carefully match the constellation shapes, add the **constellation sticker** to the **disk** making sure not to cover any holes (stars).

Set aside the **constellation disk** until the final step.



**Step 2**—Stand both **top** and **bottom** pieces up on long edges. Glue one **side piece** on top. Make sure outside edges are even. Nail them together with **4 nails**.

Turn the project over and repeat to attach the other **side piece**.

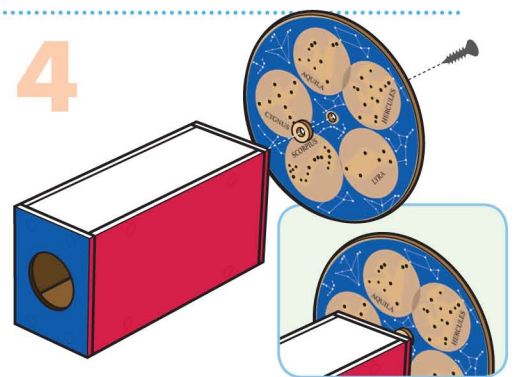


**Step 3**—Stand the project up with the screw hole in the **top piece** facing up. Add a little glue to the top edges. Pick up the **back piece** with 3 nail holes and 1 screw hole. Aligning the screw holes, place the **back piece** on top of the project. Make sure all edges are even. Nail them together with **3 nails**.

Turn the project over and glue the **front piece** on top. Make sure all edges are even. Nail them together with **4 nails**.



**Attention:** If you are painting the project, **DO NOT paint the constellation disk.** Allow the paint to dry completely.



**Step 4**—Lastly, attach the **washer** and **constellation disk** to the project. Align the holes in the **top piece**, **washer** and **constellation disk**. Attach them together with a **screw** using a **#2 Phillips Screwdriver**. Don't screw too tightly and make sure the **constellation disk** rotates smoothly.

Add the other **stickers** as you like.

(Ver el dorso para instrucciones en español.)