



WARNING:
CHOKING HAZARD—Small Parts.
 Not for children under 3 years.
 The product contains functional sharp points and sharp edge. Not for children under 4 years.
 Adult supervision required.



5+

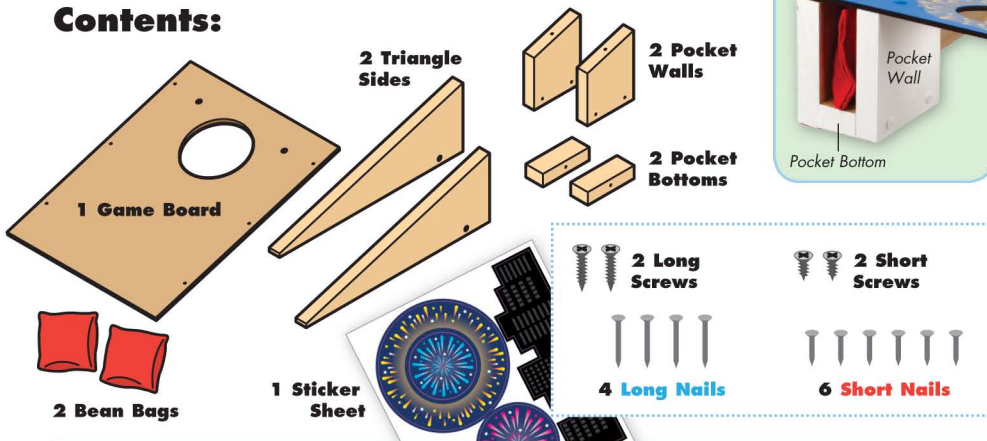
FIREWORKS BEAN BAG TOSS

Made in Thailand exclusively for The Home Depot by Houseworks, Ltd.
 2388 Pleasantdale Road, Atlanta, GA 30340 · 71170 · Thailand 0223

Finished example.



Contents:



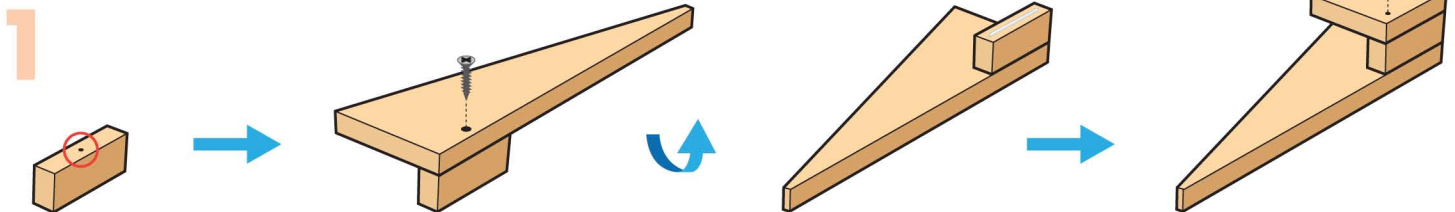
Scan with your camera or visit homedepot.com/kids for an easy-to-follow guide on how to assemble this kit, plus more fun videos.

ALSO NEEDED:

- Fine Sandpaper
- Wood Glue
- Hammer
- #2 Phillips Screwdriver

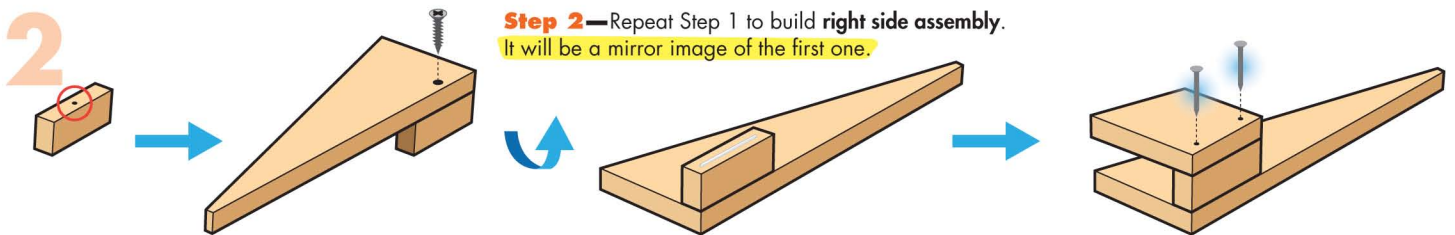
Assembly:

Start with sanding each wood piece to remove any rough edges. Remember to sand in the direction of the wood grain. Glue and nail the pieces together. Allow glue to completely dry.

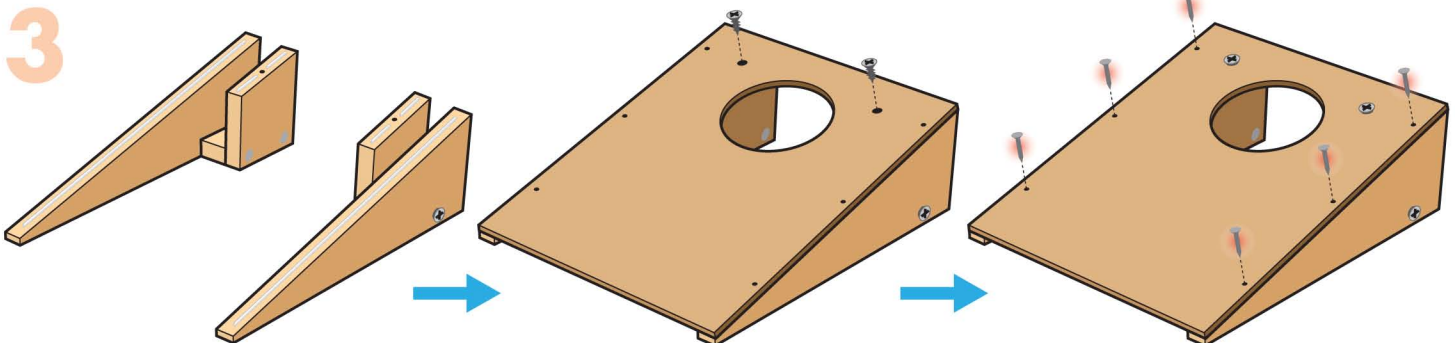


Step 1—Stand one **pocket bottom** piece on a long edge with screw hole facing up. Place one **triangle side** piece on top and align corners. Make sure screw holes match and back and bottom edges are even. Attach them together with a **long screw** using a #2 Phillips Screwdriver.

Turn the project over. Add a thin line of glue on top edge of the **pocket bottom** piece. Place one **pocket wall** piece on top making sure the angles of top edges are aligned. Make sure back and bottom edges are even. Using 2 **long nails**, nail them together to complete **left side assembly**.



Step 2—Repeat Step 1 to build **right side assembly**. It will be a mirror image of the first one.



Step 3—Stand both **side assemblies** right side up. Add thin lines of glue to the top edges.

Place the **game board** on top. Make sure outside edges are even. Attach the **game board** and **pocket wall** pieces together with 2 **short screws**.

Again, make sure outside edges are even. Carefully, attach the **game board** and **triangle side** pieces together with 6 **short nails**.

(Ver el dorso para instrucciones en español.)

TSCA TITLE VI Compliant

Attention: If you are painting the project, paint and let dry completely before adding the **stickers** and storing the **bean bags** in the pockets.