



WARNING:
CHOKING HAZARD — Small Parts.
 Not for children under 3 years.
 The product contains functional sharp points and sharp edge. Not for children under 4 years.
 Adult supervision required.

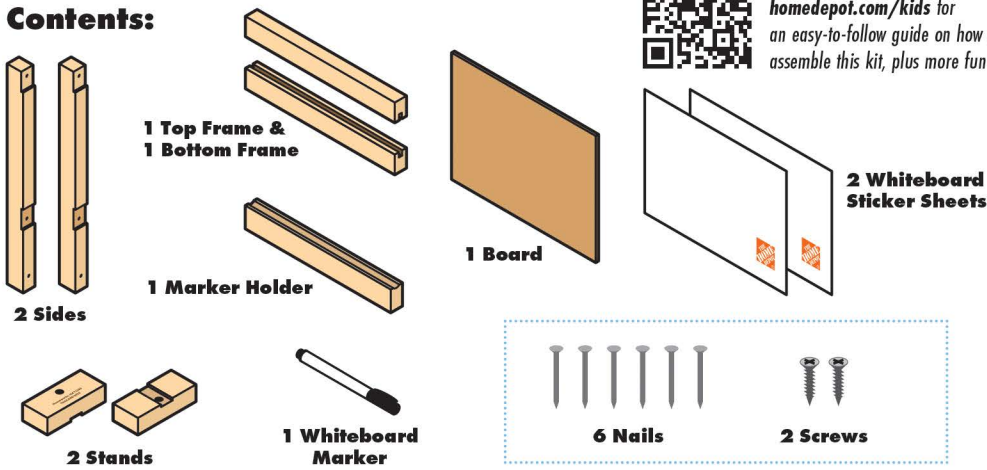


5+

WHITEBOARD

Made in Thailand exclusively for The Home Depot by Houseworks, Ltd.
2388 Pleasantdale Road, Atlanta, GA 30340 · 71183 · Thailand 0324

Contents:



Scan with your camera or visit homedepot.com/kids for an easy-to-follow guide on how to assemble this kit, plus more fun videos.



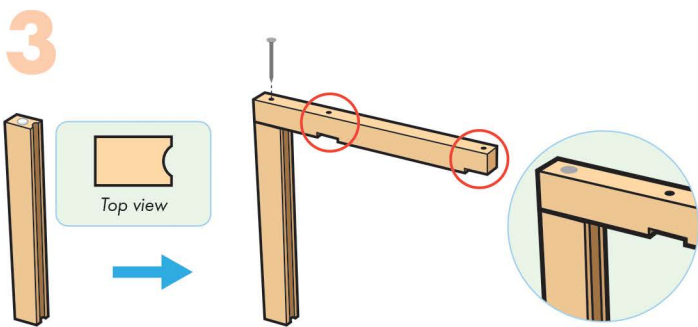
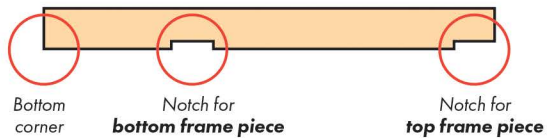
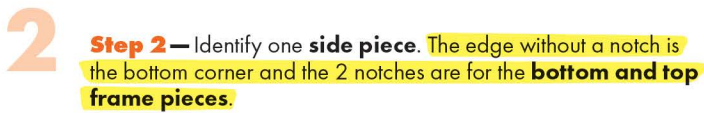
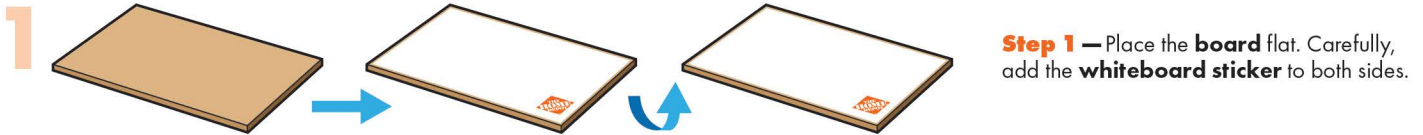
Finished example.

ALSO NEEDED:

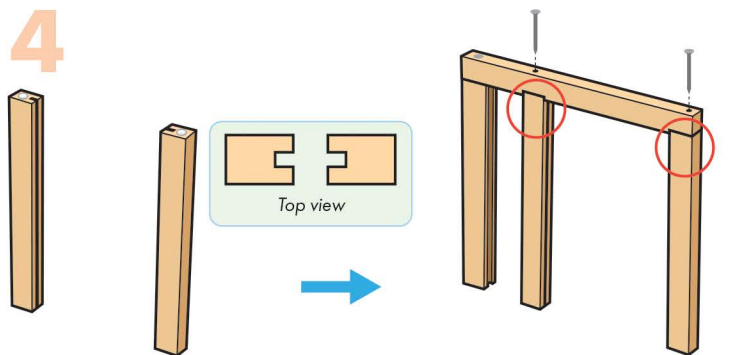
- Fine Sandpaper
- Wood Glue
- Hammer
- #2 Phillips Screwdriver

Assembly:

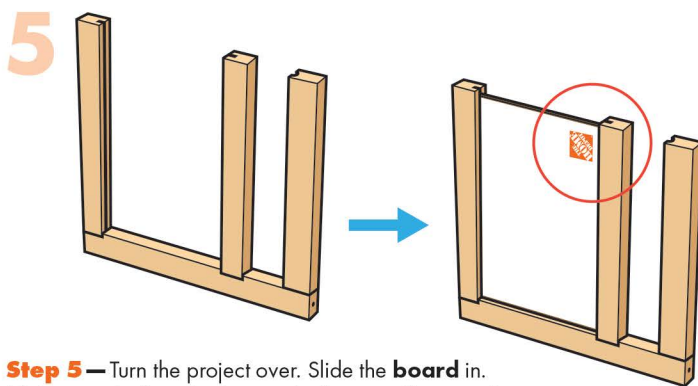
Start with sanding each wood piece to remove any rough edges. Remember to sand in the direction of the wood grain. Glue and nail the pieces together. Allow glue to completely dry.



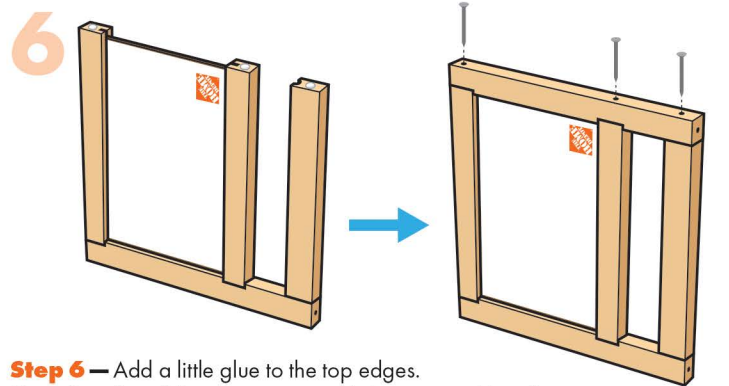
Step 3 — Stand the **marker holder** up. Add a little glue to the top edge. Pick up **side piece**. With the notches facing down, place the bottom corner of the **side piece** on top of the **marker holder**. Make sure the groove of the **marker holder** is facing inward. Make sure edges are even. Nail them together.



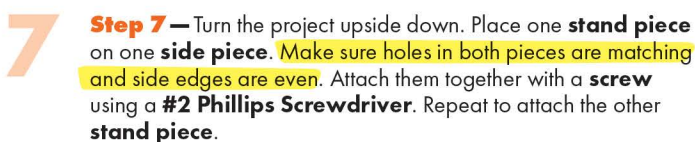
Step 4 — Stand the **bottom and top frame pieces** up with slots facing in. Add a little glue to the top edges. Fit the notches of the **side piece** to the top edges. Make sure edges are even. Nail them together with 2 **nails**.



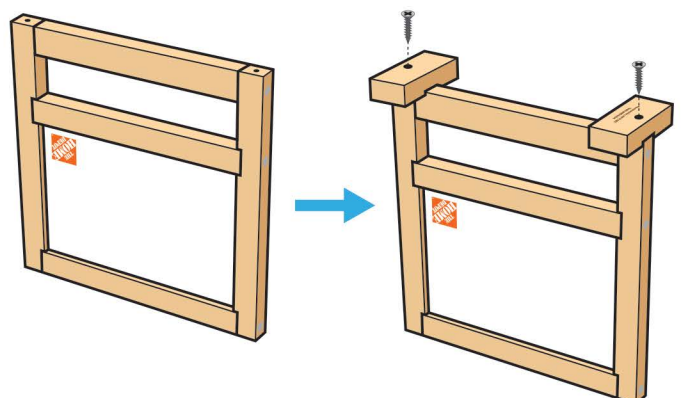
Step 5 — Turn the project over. Slide the **board** in. Make sure the logo is close to the **bottom frame piece**.



Step 6 — Add a little glue to the top edges. Place the other **side piece** on top. Make sure outside edges are even. Carefully, nail them together with 3 **nails**.



Step 7 — Turn the project upside down. Place one **stand piece** on one **side piece**. Make sure holes in both pieces are matching and side edges are even. Attach them together with a **screw** using a **#2 Phillips Screwdriver**. Repeat to attach the other **stand piece**.



Attention: If you are painting the project, **try not to put any paint on the whiteboard stickers. Wipe clean quickly if paint gets on them.** Let dry completely.

(Ver el dorso para instrucciones en español.)

TSCA TITLE VI Compliant