



**WARNING:**  
**CHOKING HAZARD** — Small Parts.  
 Not for children under 3 years.  
 The product contains functional sharp points and sharp edge. Not for children under 4 years.  
 Adult supervision required.



5+

# FIELD GOAL GAME

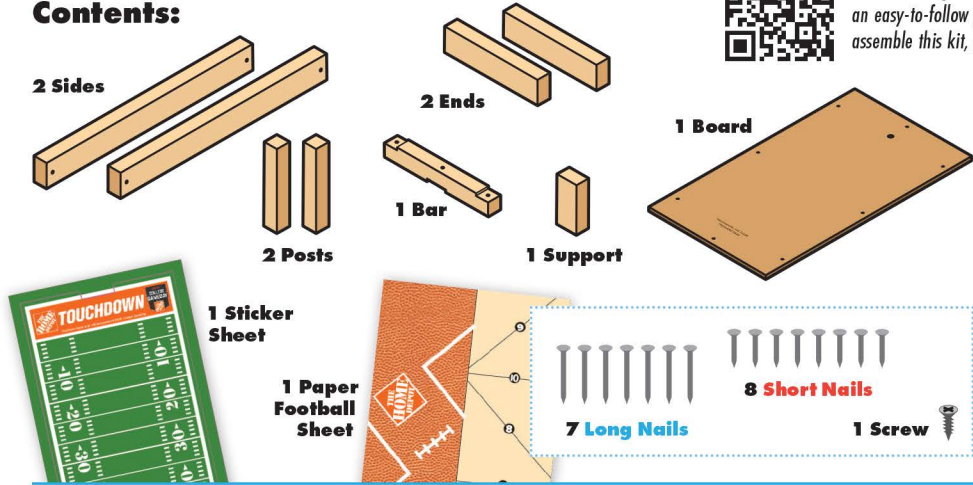
Made in Thailand exclusively for The Home Depot by Houseworks, Ltd.  
 2388 Pleasantdale Road, Atlanta, GA 30340 · 71184 · Thailand 0424

Finished example.

## Contents:



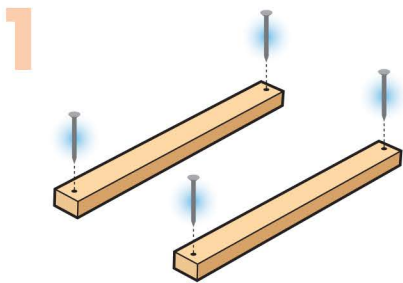
Scan with your camera or visit [homedepot.com/kids](http://homedepot.com/kids) for an easy-to-follow guide on how to assemble this kit, plus more fun videos.



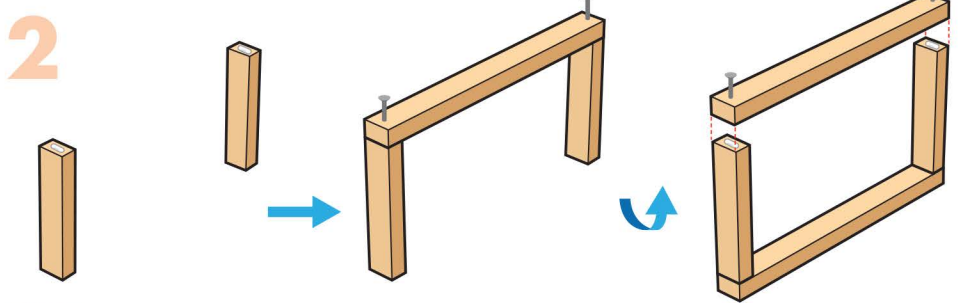
- ALSO NEEDED:**
- Fine Sandpaper
  - Wood Glue
  - Hammer
  - #2 Phillips Screwdriver

## Assembly:

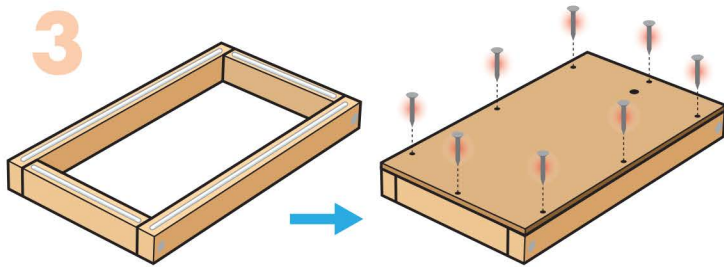
Start with sanding each wood piece to remove any rough edges. Remember to sand in the direction of the wood grain. Glue and nail the pieces together. Allow glue to completely dry.



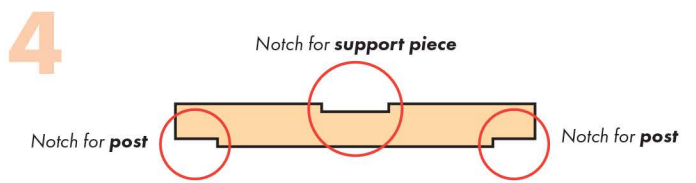
**Step 1** — Lay both **side pieces** down with holes facing up. Start 4 **long nails**.



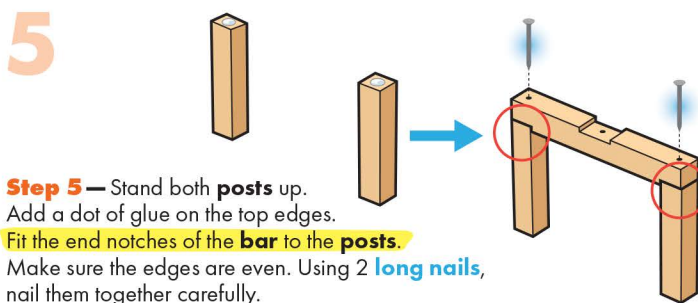
**Step 2** — Stand both **end pieces** up. Add a little glue to the top edges. Place one **side piece** on top. Make sure the outside edges are even. Nail them together. Turn the project over. Repeat to attach the other **side piece** to build a **frame**.



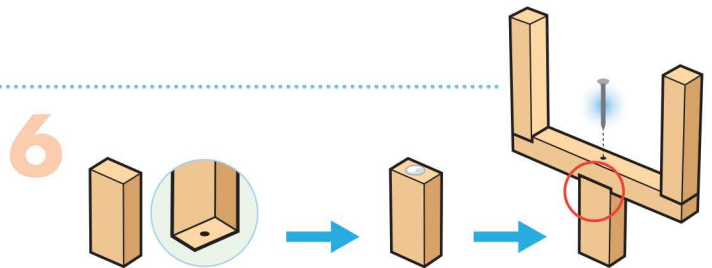
**Step 3** — Lay the **frame** down. Glue the **board** on top. Make sure all edges are even. Using 8 **short nails**, nail them together to form a **field**.



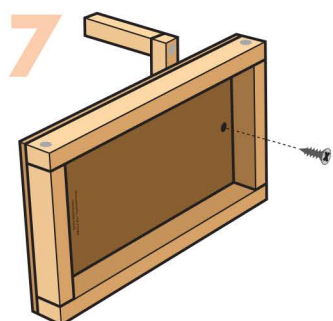
**Step 4** — Identify the **bar**. The notches on the ends are for the **posts** and the notch in the middle is for the **support piece**.



**Step 5** — Stand both **posts** up. Add a dot of glue on the top edges. **Fit the end notches of the bar to the posts.** Make sure the edges are even. Using 2 **long nails**, nail them together carefully.



**Step 6** — Stand the **support piece** up with the edge with a hole facing down. Add a dot of glue on the top edge. **Fit the middle notch of the bar on top.** Make sure the edges are even. Using a **long nail**, nail them together carefully to form a **goal post**.



**Step 7** — Align the holes in the **goal post** and **field**. Attach them together with a **screw** using a #2 Phillips Screwdriver.

**Attention:** If you are painting the project, paint and let dry completely before adding the **sticker**.

**At Home:** Make a **paper football** following the instructions carefully, and you are ready to play!



(Ver el dorso para instrucciones en español.)

TSCA TITLE VI Compliant