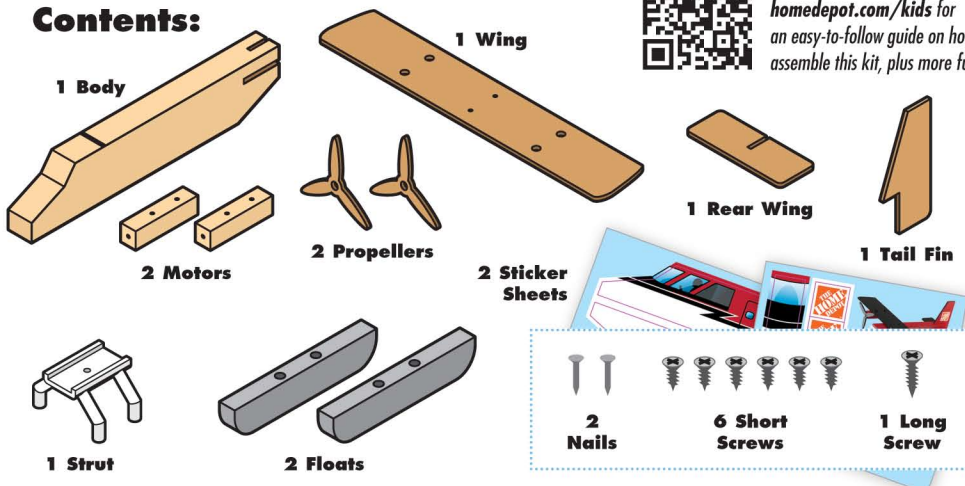


# RESCUE FLOATPLANE

Made in Thailand exclusively for The Home Depot by Houseworks, Ltd.  
 2388 Pleasantdale Road, Atlanta, GA 30340 · 71173 · Thailand 0523

## Contents:



Scan with your camera or visit [homedepot.com/kids](http://homedepot.com/kids) for an easy-to-follow guide on how to assemble this kit, plus more fun videos.



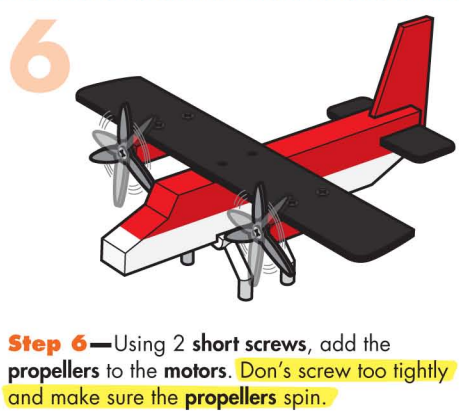
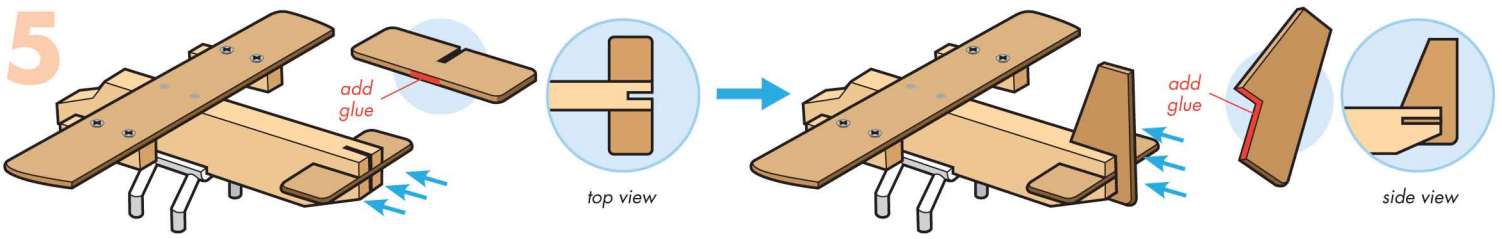
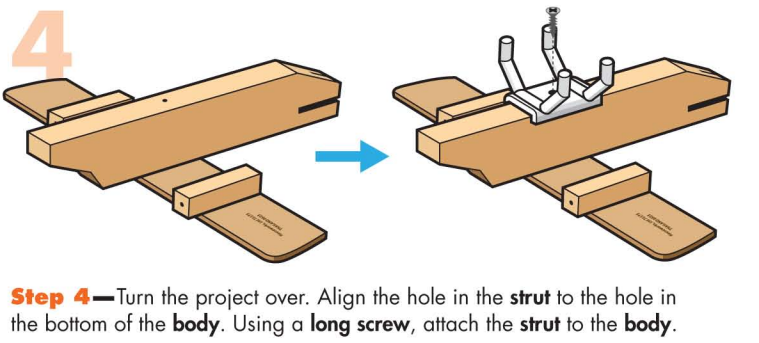
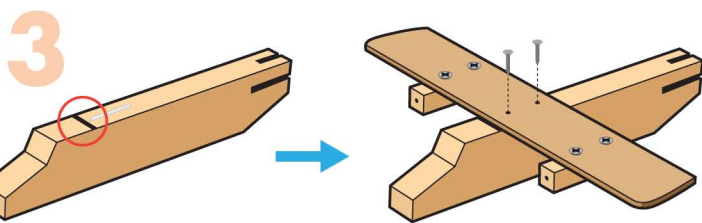
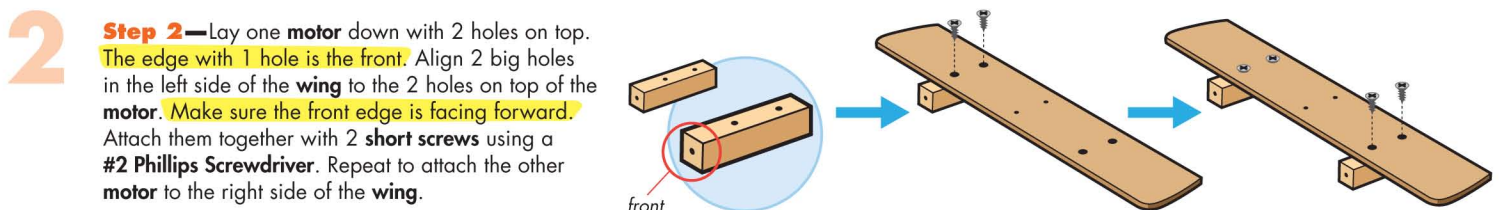
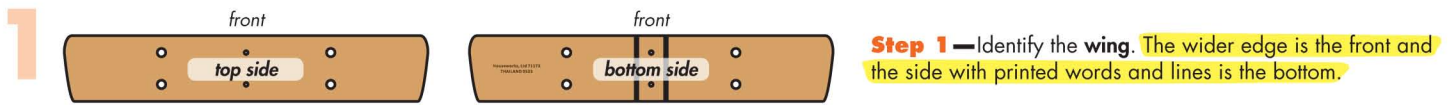
Finished example.

## ALSO NEEDED:

- Fine Sandpaper
- Wood Glue
- Hammer
- #2 Phillips Screwdriver

## Assembly:

**Start with sanding each wood piece to remove any rough edges. Remember to sand in the direction of the wood grain. Glue and nail the pieces together. Allow glue to completely dry.**



(Ver el dorso para instrucciones en español.)