



**WARNING:**  
**CHOKING HAZARD** — Small Parts.  
 Not for children under 3 years.  
 The product contains functional sharp points and sharp edge. Not for children under 4 years.  
 Adult supervision required.



5+

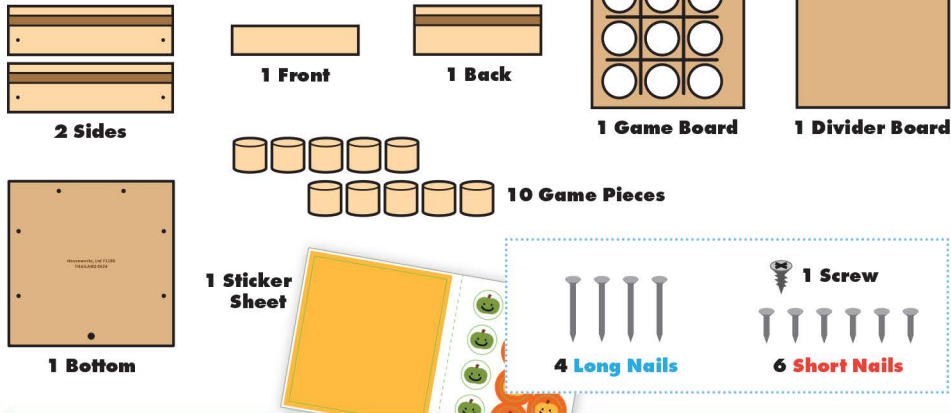
# PUMPKIN TIC-TAC-TOE

Made in Thailand exclusively for The Home Depot by Houseworks, Ltd.  
2388 Pleasantdale Road, Atlanta, GA 30340 · 71186 · Thailand 0624

Finished example.



## Contents:



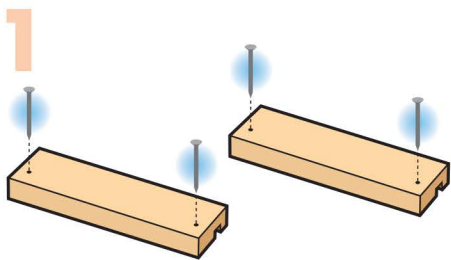
Scan with your camera or visit [homedepot.com/kids](http://homedepot.com/kids) for an easy-to-follow guide on how to assemble this kit, plus more fun videos.

## ALSO NEEDED:

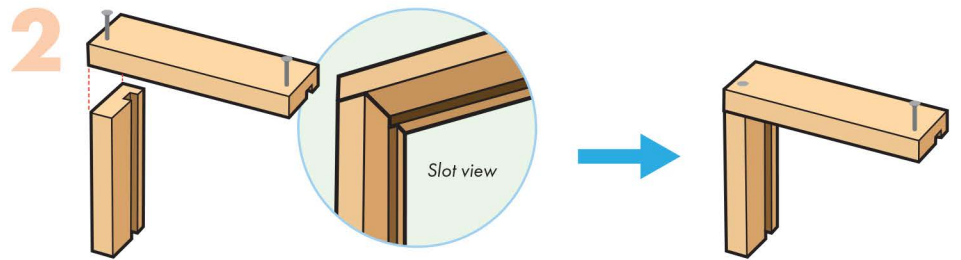
- Fine Sandpaper
- Wood Glue
- Hammer
- #2 Phillips Screwdriver

## Assembly:

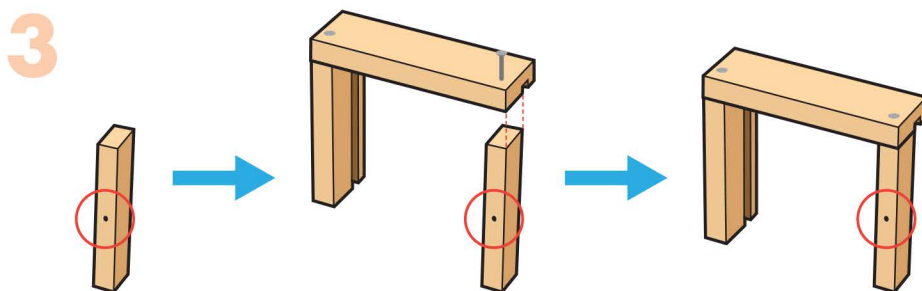
Start with sanding each wood piece to remove any rough edges. Remember to sand in the direction of the wood grain. Glue and nail the pieces together. Allow glue to completely dry.



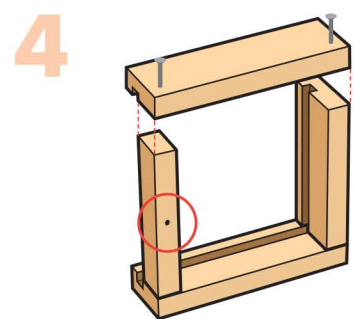
**Step 1** — Lay both **side pieces** down with the slots facing down. Start 4 **long nails** into the holes. Set one aside for now.



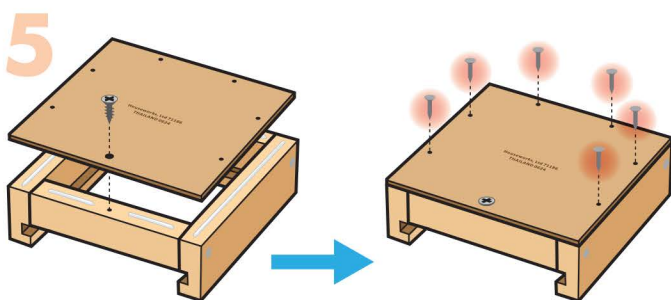
**Step 2** — Stand the **back piece** up. Place one end of a started **side piece** on top. Make sure the slots are matching and the edges are even. Nail them together.



**Step 3** — Stand the **front piece** up. The edge with a screw hole is the bottom. Place the **front piece** under the other started nail, ensuring it does not block the slot. The edge with the screw hole should be oriented towards you, serving as the project's bottom. Make sure the corner edges are even. Nail them together.



**Step 4** — Turn the project over. Repeat to attach the other started **side piece**.



**Step 5** — Turn the project upside down. Apply thin lines of glue along the top edge.

Carefully position the **bottom piece** on top of the project. The edge with the large screw hole is the front. Align the screw holes in both the **bottom** and **front pieces**. Secure them together with a **screw** using a #2 Phillips Screwdriver.

Ensure all edges are flush. Secure the **bottom piece** using 6 **short nails**.

**Attention:** When painting the project, **only paint the game pieces and the exterior of the box. Do not paint the boards or slots, as this may cause them to stick in place.** Allow the paint to dry completely before applying the **stickers**.

**Step 6** — Apply the **stickers** to the **game pieces** and **divider board** as shown. Slide both **boards** into the slots. You can conveniently store the **game pieces** inside the box when not in use.



(Ver el dorso para instrucciones en español.)

TSCA TITLE VI Compliant