



WARNING:
CHOKING HAZARD—Small Parts.
 Not for children under 3 years.
 The product contains functional sharp points and sharp edge. Not for children under 4 years.
 Adult supervision required.

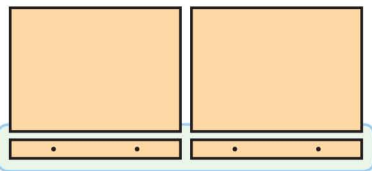


5+

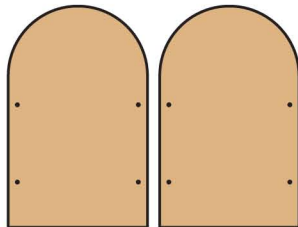
SANTA LETTERS MAILBOX

Made in Thailand exclusively for The Home Depot by Houseworks, Ltd.
2388 Pleasantdale Road, Atlanta, GA 30340 · 71163 · Thailand 0822

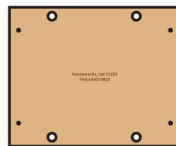
Contents:



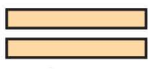
1 Front & 1 Back



2 Sides



1 Bottom



2 Legs

2 Sticker Sheets



4 Short Nails



8 Long Nails



4 Screws

Scan with your camera or visit homedepot.com/kids for an easy-to-follow guide on how to assemble this kit, plus more fun videos.



Finished example.

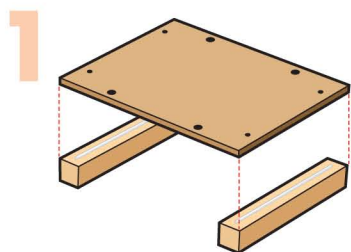


ALSO NEEDED:

- Fine Sandpaper
- Wood Glue
- Hammer
- #2 Phillips Screwdriver

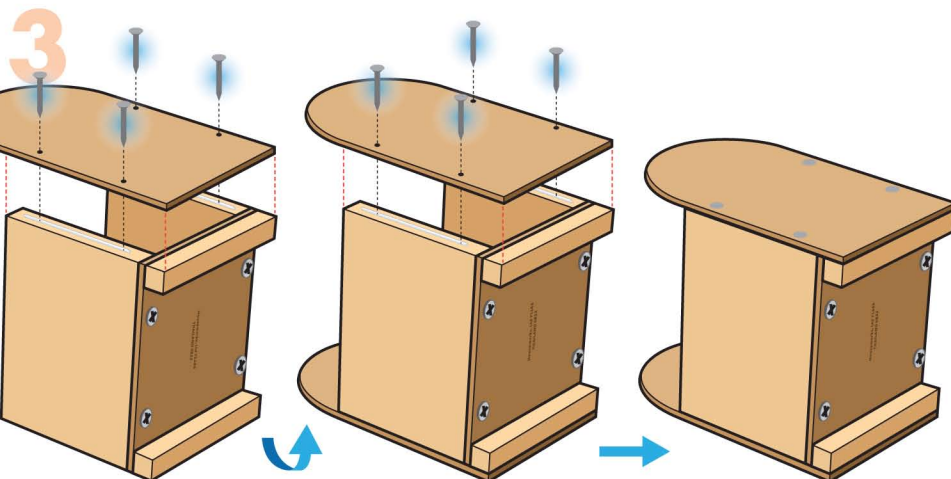
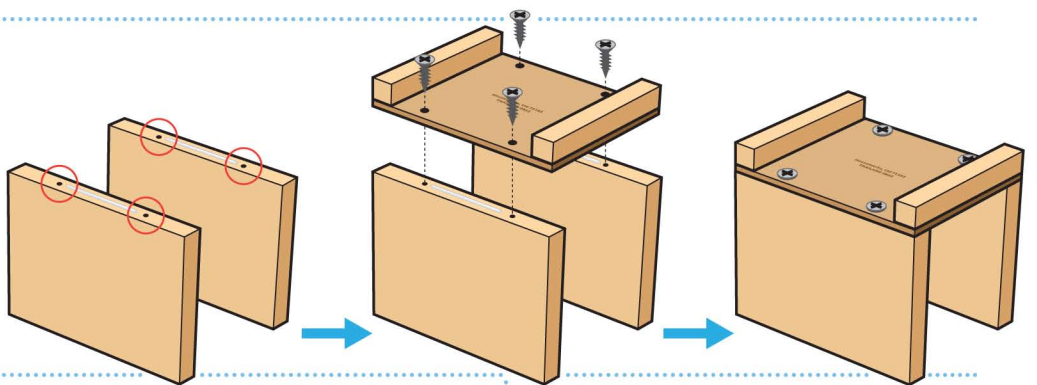
Assembly:

Start with sanding each wood piece to remove any rough edges. Remember to sand in the direction of the wood grain. Glue and nail the pieces together. Allow glue to completely dry.



Step 1—Lay both legs down. Add a little glue to the top edges. Place the bottom piece on top. Make sure outside edges are even. Nail them together with 4 short nails. Turn the project over.

Step 2—Stand both front and back pieces up with screw holes facing up. Add a little glue to the top edges. Place the project on top. Align the screw holes in the bottom piece to the screw holes in the front and back pieces. Attach them together with 4 screws using a #2 Phillips Screwdriver.



Step 3—Turn the project on an open side. Add a little glue to the top edges. Place a side piece on top. Make sure side and bottom edges are even. Nail it in place with 4 long nails. Turn the project over and repeat to attach the other side piece.

Attention: If you are painting the project, paint and let dry completely before adding the stickers.



Step 4—Add the stickers as shown.

(Ver el dorso para instrucciones en español.)