



WARNING:
CHOKING HAZARD—Small Parts.
 Not for children under 3 years.
 The product contains functional sharp points and sharp edge. Not for children under 4 years.
 Adult supervision required.

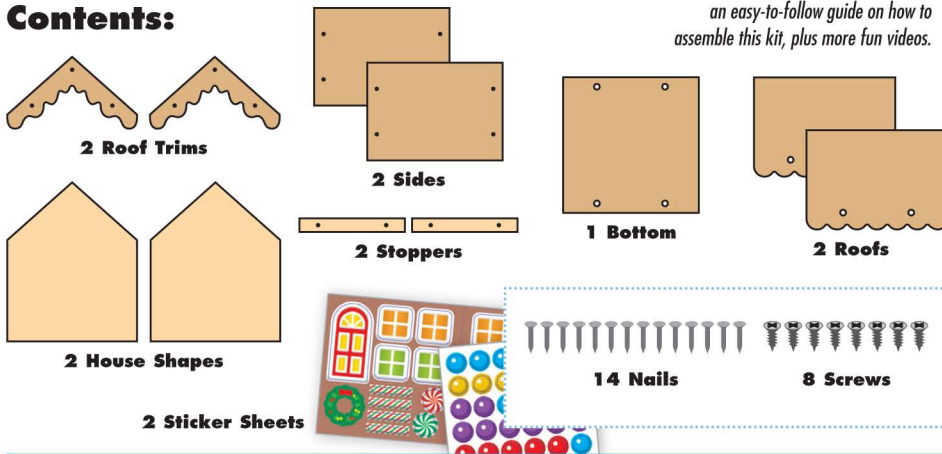


5+

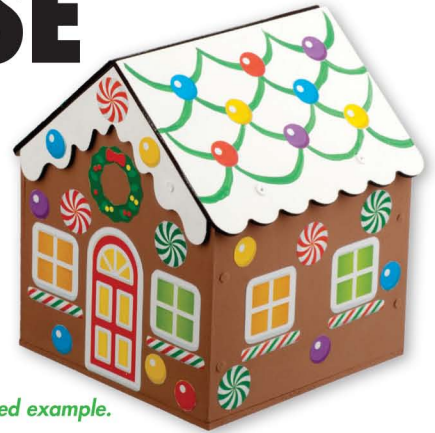
GINGERBREAD HOUSE

Made in Thailand exclusively for The Home Depot by Houseworks, Ltd.
 2388 Pleasantdale Road, Atlanta, GA 30340 · 71175 · Thailand 0723

Contents:



Scan with your camera or visit homedepot.com/kids for an easy-to-follow guide on how to assemble this kit, plus more fun videos.



Finished example.

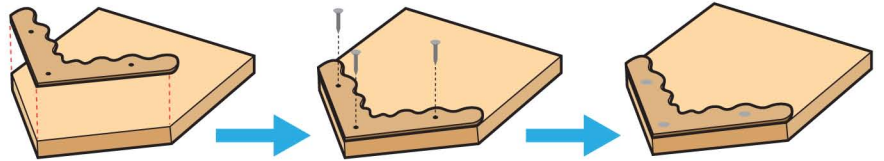
ALSO NEEDED:

- Fine Sandpaper
- Wood Glue
- Hammer
- #2 Phillips Screwdriver

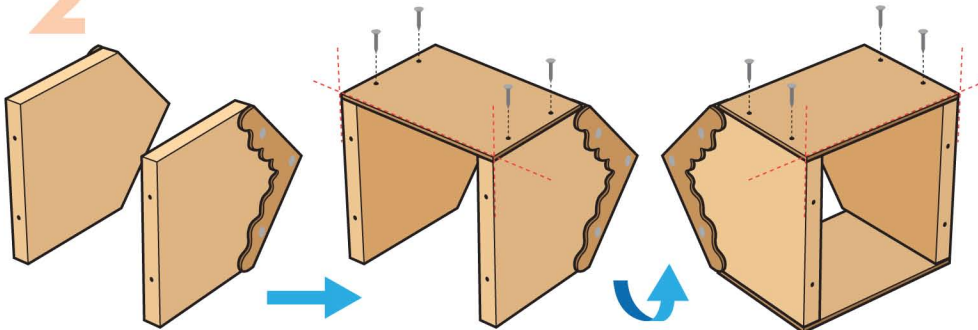
Assembly:

Start with sanding each wood piece to remove any rough edges. Remember to sand in the direction of the wood grain. Glue and nail the pieces together. Allow glue to completely dry.

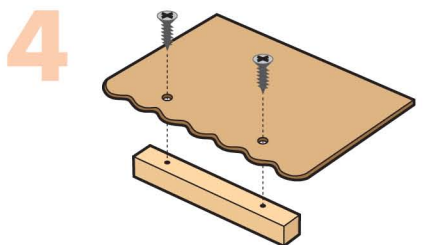
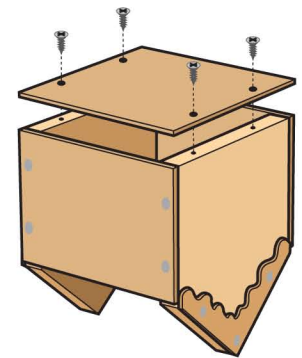
1 Step 1—Lay one house shape down. Place one roof trim on the pointed roof edge. Make sure the roof edges are even. Using 3 nails, nail them together. Repeat with the other house shape and roof trim.



2 Step 2—Stand both house shapes up on one side with the roof trims facing out. Glue one side piece on top. Make sure bottom and side edges are even. Using 4 nails, nail them together. Turn the project over. Repeat to glue and nail the other side piece.



3 Step 3—Turn the project upside down. Place the bottom piece on top with the screw holes matching. Attach them together with 4 screws using a #2 Phillips Screwdriver to form a house.



4 Step 4—Lay one stopper down with holes facing up. Place one roof on top and match the holes in both pieces. Attach them together with 2 screws. Repeat with the other roof and stopper.

Attention: If you are painting the project, paint and let dry completely before adding the stickers.

5 Step 5—Place both roofs on the house. Add the stickers.



(Ver el dorso para instrucciones en español.)