



WARNING: CHOKING HAZARD

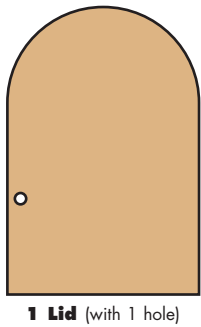
Contains small parts and functional/sharp points.
Not for children under 4 years old.
Adult supervision required.



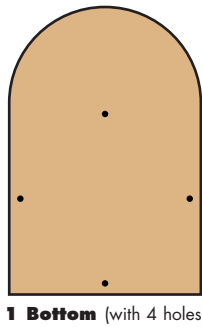
HEART CANDY BOX

Made in Chonburi, Thailand exclusively for The Home Depot by Houseworks, Ltd
2388 Pleasantdale Road, Atlanta, GA 30340 · batch #171116 · date: 10/18

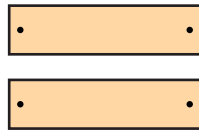
Contents:



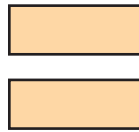
1 Lid (with 1 hole)



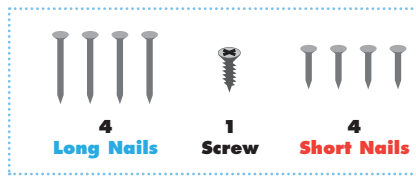
1 Bottom (with 4 holes)



2 Ends



2 Sides



4 Long Nails

1 Screw

4 Short Nails

Finished example.



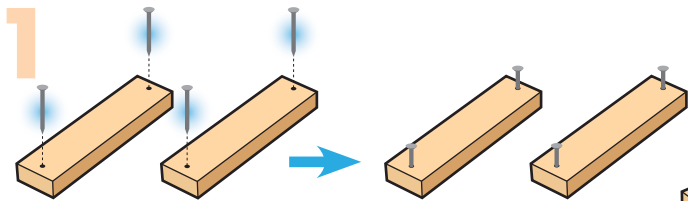
1 Sticker Sheet

ALSO NEEDED:

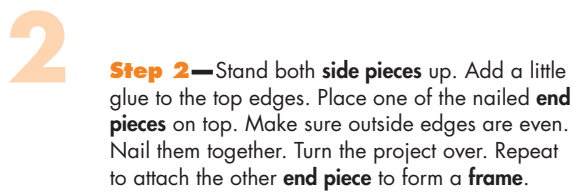
- Fine Sandpaper
- Wood Glue
- Hammer
- #2 Phillips Screwdriver

Assembly:

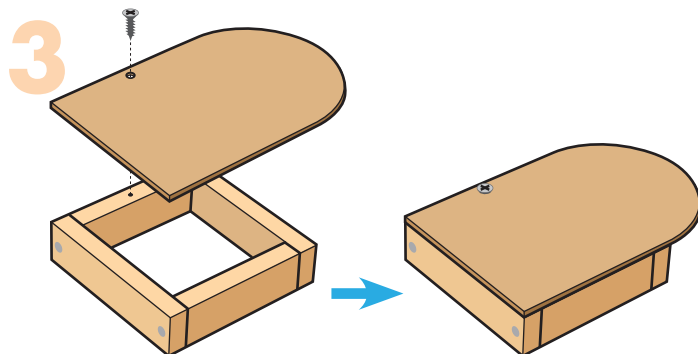
Start with sanding each wood piece to remove any rough edges. Remember to sand in the direction of the wood grain. Glue and nail the pieces together. Allow glue to completely dry.



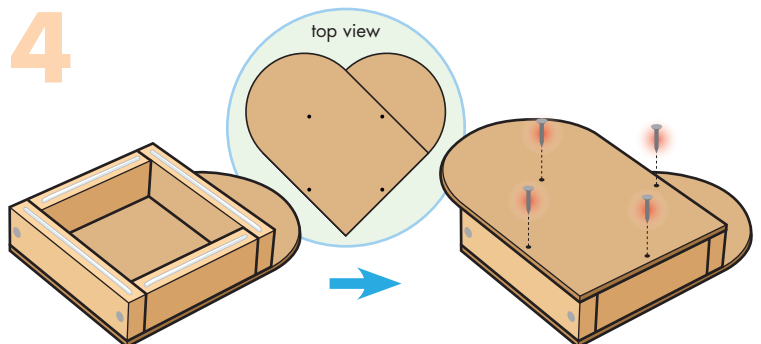
Step 1 — Lay both end pieces flat with the nail holes on top. Start 4 long nails.



Step 2 — Stand both side pieces up. Add a little glue to the top edges. Place one of the nailed end pieces on top. Make sure outside edges are even. Nail them together. Turn the project over. Repeat to attach the other end piece to form a frame.



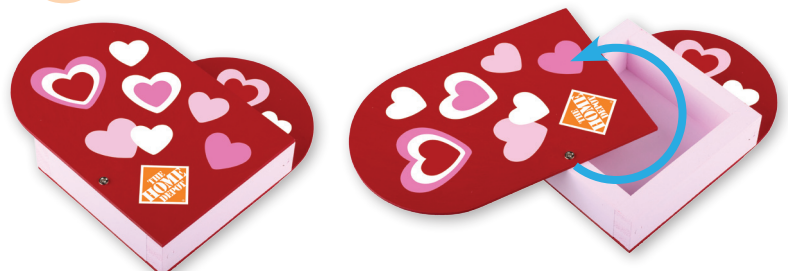
Step 3 — Lay the frame down with the screw hole on top. Place the lid with 1 hole on top of the frame with both holes matching. Attach the lid with a screw using a #2 Phillips screwdriver. DO NOT glue the lid.



Step 4 — Turn the project over. Add thin lines of glue to the top edge. Place the bottom piece on top. Make sure it forms a heart shape. Make sure all the straight edges are even. Using 4 short nails, nail it in place.

Attention: If you are painting the project, unscrew to remove the lid then paint. Wait to dry completely before attaching back the lid and adding the stickers.

Step 5 — Add the stickers. Slide the lid to open to fill with candies!



(Ver el dorso para instrucciones en español.)

California 93120 compliant for formaldehyde phase 2